

08 DODGE **AVENGER**



GRAB LIFE



DODGE

THE AUTOMOTIVE SCIENCE IS STATE OF THE ART. THE PERFORMANCE IS TUNED AS FINE AS THE TECH. TAKE ONE PART SOLID ENGINEERING, ADD A DOSE OF ADVANCED MOTOR SKILLS, AND MIX IN THE DRUMBEAT OF DODGE. WHAT YOU GET IS THE PERFECT COMBINATION OF BRILLIANCE AND BRAWN. THIS IS THE FORMULA FOR A MUST-HAVE MID-SIZE SEDAN. POWER UP AND PLUG IN. THIS IS THE ALL-NEW DODGE AVENGER.

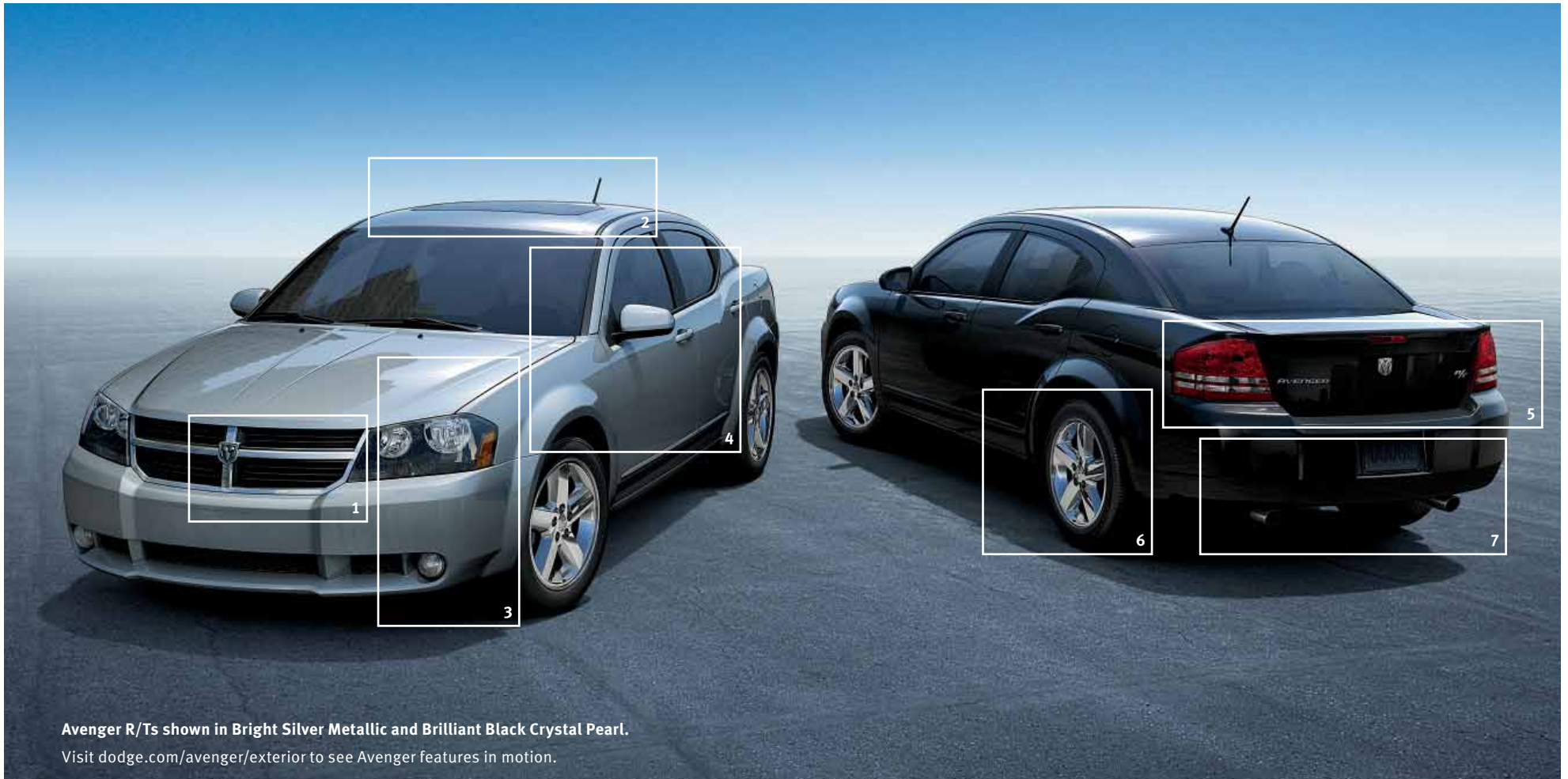


BREAK THROUGH THE CLASS CEILING

Putting an action-packed life in motion requires a shrewdly engineered car. Dodge covered all the bases and then some, combining athletic style with spirited performance, fuel economy,* and a veritable grab bag of unique innovations. Enter the all-new 2008 Dodge Avenger, bringing a new level of forward technology and function to the mid-size sedan. When you turn Avenger loose on the streets, you're out to grab life.

*EPA est. mpg 21 city/30 hwy with 2.4L engine.

All-New 2008 Dodge Avenger SXT in Inferno Red Crystal Pearl.



Avenger R/Ts shown in Bright Silver Metallic and Brilliant Black Crystal Pearl.

Visit dodge.com/avenger/exterior to see Avenger features in motion.

EXTERIOR DESIGN

1 GRILLE. Start with a touch of menace — the signature Dodge crosshair grille. The SXT and R/T grille crosshairs are chrome with a black texture, while the SE grille has equally aggressive body-color crosshairs. **2 SUNROOF.** Topping off the technology-laden Avenger, the optional one-touch express open/close power sunroof adds ventilation and a dose of the outside world at your command. **3 HEADLAMPS.** Large, modern quad-halogen headlamps provide brilliant down-the-road lighting. The headlamps are surrounded by black housings on R/T — with bright housings on SE and SXT — to create the distinctive character that contributes to Avenger's bold brow. **4 PROFILE.** Avenger expresses itself forcefully from every angle with maximum visual impact. Attitude flows from sculpted wheel openings, an aggressive rear muscle bulge, short deck lid, monochromatic body-color door handles and body-color side molding on R/T (available on SXT). **5 REAR LIGHTS.** Avenger's taillamp, turn signal, stoplamp, backup lamp, and side reflector functions are combined in a single unit. Reflective optics in the lamp housings direct light through transparent lenses. Opaque red bands across the center of the backup lamps dress up the package. **6 WHEELS** and tires. Hearty 18-inch Razor chrome-clad wheels and all-season performance tires are available on R/T, with 18-inch Motive ultra-brite machined aluminum wheels coming standard on R/T and optional on SXT. The SE comes standard with 16-inch steel wheels with covers and SXT comes standard with 17-inch aluminum machined wheels. Any way you roll, you're covered. **7 DUAL CHROME EXHAUST TIPS.** The dual chrome exhaust tips enhance R/T's well-tuned appearance while telegraphing some of Avenger's performance capability.

THE DODGE ENGINEERS WHO MASTERED THE NEW-CAR SCIENCE AND PUT AVENGER TOGETHER BLOCK BY CUTTING-EDGE BLOCK DON'T WEAR WHITE LAB COATS AND HORN-RIMS. THEY'RE MOST LIKELY THE ONES WITH A BORDERLINE-UNHEALTHY INTEREST IN HAVING A GOOD TIME. AS SOON AS YOU SIT BACK IN AVENGER'S AVAILABLE TWO-TONE LEATHER-TRIMMED INTERIOR, YOU EXPERIENCE ADVANCED TECHNOLOGIES THAT RADICALLY RAISE THE BAR ON IN-VEHICLE COMMUNICATIONS. MAKE YOURSELF AT HOME IN AVENGER. THIS IS YOUR PERSONAL HIGH-TECH PLAYGROUND.



1 MYGIG® navigation/touch-screen. Bring on the traffic backups and extended commutes. The available MyGIG Multimedia Infotainment System* with Navigation features a touch-screen input or voice control and displays 2-D and 3-D bird's-eye map views. SIRIUS® Satellite Radio feeds you real-time traffic updates on accidents, road closings and traffic congestion. Maps and guidance appear on a 6.5-inch thin-film-transistor (TFT) display. The TFT screen is an active-matrix display that supports 65,000 colors and allows for viewing from angles up to 180 degrees — perfect for the center of your instrument panel. As a state-of-the-art entertainment system, MyGIG has the flexibility to play CDs with top-quality audio.

2 REMOTE START. Whether it's blowing hot or cold outside, with the available Remote Start, you can start your vehicle from up to 300 feet away. Creating the perfect climate-controlled environment is only a button-push away.

Optional two-tone leather-trimmed R/T interior shown in Dark Slate Gray/Light Graystone.
*MyGIG in-dash DVD capability is not available in all states. See your dealer for details.

Optional two-tone leather-trimmed R/T interior shown in Dark Slate Gray/Light Graystone.
Visit dodge.com/avenger/interior to see Avenger features in motion.



CLOSE ENCOUNTERS OF THE DIGITAL KIND

1 MYGIG[®]* Front and center, the available MyGIG Multimedia Infotainment System with Navigation is nothing less than the greatest advance in car audio since the CD player. MyGIG is a segment-exclusive[†] innovation that revolutionizes in-vehicle communications by bundling entertainment, information and communication. It combines navigation with real-time traffic updates via SIRIUS[®] Satellite Radio, UConnect[®] Hands-Free Communication, multiple ways to save and play back music, and high-quality audio. MyGIG features a 20GB hard drive for storing photos and more than 1,000 digital music files, playlists, maps, points of interest, and more. You can also opt for the MyGIG Multimedia Entertainment System, which comes without the navigation function, Bluetooth[®] or UConnect, allowing even more space for storing music files. **TOUCH-SCREEN LCD MONITOR/VOICE ACTIVATION.** Use touch-screen controls with all the infotainment functions at your fingertips, or activate it all with voice commands, as the system recognizes over 100,000 street names. The system also includes voice memo recording using the microphone integrated into the rearview mirror. In a word: trick. integrated music jukebox. An integrated Music Jukebox has the industry's first Gracenote[®] music-file management, to automatically add song, artist and album information to the music files. The Gracenote database is updated quarterly. **CUSTOMIZED SCREEN SAVER.** In addition to music, JPEG photos can be uploaded through the USB-port interface and viewed on-screen. Whether creating a customized background or simply taking the show on the road, Avenger is the world's fastest digital picture frame. Sirius Satellite Radio. SIRIUS is the exclusive satellite radio provider of Dodge and is available as a factory-installed feature that includes a one-year subscription! SIRIUS delivers over 130 channels of the best programming in all of radio including 100% commercial-free music plus world-class sports, news, talk, entertainment, traffic and weather. SIRIUS broadcasts live sports coverage of over 350 Pro & College teams — NFL, NASCAR,[®] NBA, college sports coverage of 150 schools and more. For more information, go to sirius.com. **2 MP3 CONNECTION/INPUT JACK.** The auxiliary input jack on the faceplate can show video directly from a video camera, play games from a video-game console and play music from a portable MP3 player. Plug in all your A/V gear without the hassle of pulling your entertainment console away from the wall. **2 OPTIONAL UCONNECT[®]*** UConnect is a voice-activated, hands-free, in-vehicle communications system. All that is required is a Bluetooth[®] capable cellular phone. **3 CHILL ZONE[™]** The standard Chill Zone beverage storage bin features a contoured mat to hold four 12-oz cans or any combination of snacks and such.

*MyGIG in-dash DVD capability is not available in all states. See your dealer for details. [†]Based on 2007 *Automotive News* segmentation. [‡]Available with MyGIG Infotainment System and Safety/Security and Convenience Group. "SIRIUS" and the SIRIUS dog logo are registered trademarks of SIRIUS Satellite Radio Inc. "NFL" is a registered trademark of the National Football League. "NBA" is a registered trademark of NBA Properties, Inc. NASCAR[®] is a registered trademark of the National Association for Stock Car Auto Racing, Inc. All other trademarks, service marks and logos are the property of their respective owners. All rights reserved. For full terms and conditions, visit sirius.com. Prices and programming are subject to change. Not available in AK and HI.



YES Essentials SXT interior shown in Slate Gray/Light Slate Gray.

Visit dodge.com/avenger/interior to see Avenger features in motion.

INTERIOR DESIGN OPTIONS

1 FOLD-FLAT STORAGE (FRONT AND REAR). A fold-flat front-passenger seat (standard on SXT and R/T) creates a table-like surface, with a standard 60/40 split-folding rear seat for added cargo flexibility. Opt for the available Cargo Organizer for securing small items in the trunk. **2 YES ESSENTIALS^{®*}** Keep your seats looking brand spanking new with the available YES Essentials stain resistant, odor resistant, antistatic seat fabric, which employs a dual-action technology to help resist stains by beading spills for easy cleaning. (standard on SXT and R/T) **3 HEATED AND COOLED CUP HOLDER.** This available feature heats up to 140 degrees or cools to 35 degrees, utilizing ceramic elements that allow for rapid temperature change. This degree of ingenuity is nothing short of segment-exclusive! **4 KEY FOB.** Activate the Remote Start feature to open windows with the key fob for added driver convenience. **5 HEATED SEATS.** Premium heated cloth front seats with carbon fiber heating elements are a segment-exclusive! They're also a very welcome treat on cold mornings.

*Not compatible with aftermarket fabric-protecting coatings. [†]Based on 2007 *Automotive News* segmentation. Properly secure all cargo.



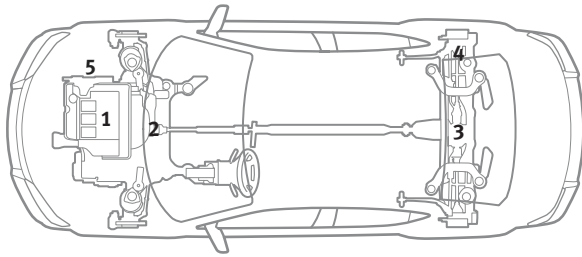
Visit dodge.com/avenger/interior to see Avenger features in motion

INTERIOR DESIGN OPTIONS

1 REAR DVD. Yet another good times segment-exclusive:* the available rear-seat Video Entertainment System (VES[®]). It's a DVD player with a 7-inch liquid crystal display (LCD), remote control and two wireless, multi-channel headphones. The system plays DVD, WMA, as well as audio and video CDs. Additionally, there are auxiliary-input jacks on the faceplate to show video directly from a video camera, play games from a video game console and listen to music from a portable MP3 player. The audio from the VES can be heard through the vehicle's speaker system, through the wireless headphones, or both. The display conveniently folds out from the center console to entertain rear-seat passengers. **2 BACKSEAT FEATURES.** The rear seat provides 37.6 inches of more-than-adequate leg room. A fold-down center armrest with cup holders transforms the backseat into a veritable home theater. **BOSTON ACOUSTICS[®]** Avenger's available Boston Acoustics Audiophile sound system, with six speakers and a 276-watt digital amplifier, delivers the rarest combination of cranium-shaking volume and operatic clarity. **LED.** Available light-emitting diode (LED) interior lighting with high-focus white lights in both the front and rear seats gives the Avenger interior a level of lighting technology previously reserved for corporate jets.

*Based on 2007 *Automotive News* segmentation.

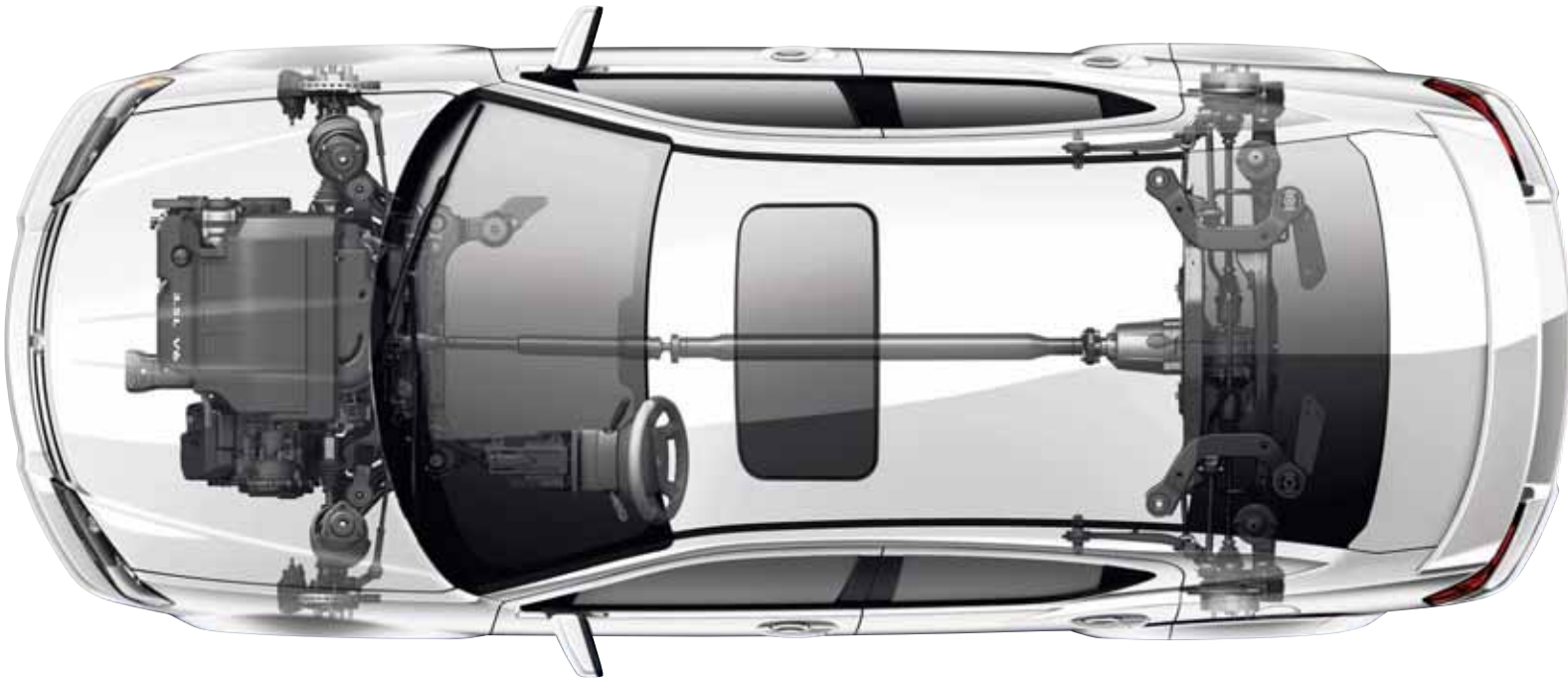
IT DELIVERS MPH WITH A PHD. IT IS AVENGER'S ELECTRONIC POWERTRAIN CONTROL SYSTEM AND IT IS TUNED FOR MAXIMUM PERFORMANCE, SAFETY AND SECURITY AND FUEL EFFICIENCY. CHOOSE FROM A 2.4-LITER DUAL VARIABLE VALVE TIMING (VVT) WORLD ENGINE,*† A 2.7-LITER FLEX FUEL† V6, OR THE 3.5-LITER V6 ON R/T WITH 6-SPEED AUTOSTICK® TRANSAXLE, 235 HORSEPOWER AND 232 LB-FT OF TORQUE FOR LEADING-EDGE PERFORMANCE.



THE 2008 DODGE AVENGER INCLUDES
A LIFETIME POWERTRAIN LIMITED WARRANTY.



See dealer for a copy of limited warranty and details.
No deductible. Non-Transferable. Not available on SRT,
diesel and certain fleet vehicles.



PERFORMANCE

1 ENGINES. The 2.4-liter dual Variable Valve Timing (VVT) World Engine*[†] is from a new family of world-class, transverse, high-revving, four-cylinder gas engines with dual VVT on both intake and exhaust cams for optimum fuel efficiency,* performance and idle quality. The 2.7-liter Flex Fuel[†] V6 has been recalibrated for improved low-end torque and enhanced acceleration, while the 3.5-liter High Output V6 not only ups the power ante but is reliable enough to allow for 100,000-mile tune-up intervals. **2 TRANSMISSIONS.** The 6-speed AutoStick[®] transaxle on Avenger R/T is the domestic industry's first fully electronic, real-time control 6-speed automatic transmission. It offers automatic and manual shifting, better acceleration and fuel economy, and a quieter ride. **3 AVAILABLE ALL-WHEEL DRIVE (AWD).** Optional AWD on Avenger R/T is mated to electronic enhancements to optimize traction by transferring power to the rear wheels based on throttle input or wheel slippage. The system anticipates the need for added traction and operates only when needed for better command, especially on wet, slippery roads. **4 SUSPENSIONS.** A MacPherson strut front suspension with an isolated front cradle enhances ride quality for a comfortable and quiet ride. The independent multilink rear suspension with an isolated rear crossmember is tuned to optimize ride, handling and noise isolation. **5 DUAL VARIABLE VALVE TIMING.** Dual Variable Valve Timing (VVT), originally found in high-performance cars, helps squeeze more power out of the engine. This four-cylinder DOHC features four valves per cylinder to deliver a combination of performance, fuel economy and thoroughly tested reliability. **FUEL ECONOMY/FLEX FUEL.** The 2.4-liter World Engine on SE and SXT aids fuel economy to the tune of 30 highway mpg.* The 2.7-liter Flex Fuel[†] V6 on SXT runs on E85 (ethanol) as well as regular gasoline. And the 3.5-liter V6 on R/T comes with a 6-speed AutoStick[®] transaxle with more ratios for a more efficient driving cycle.

*EPA est. mpg 21 city/30 hwy. [†] Not available in CA, CT, NY, MA, ME, PA, RI and VT. A 2.4L PZEV and 2.7L gas engine will be substituted.

Visit dodge.com/avenger/performance to see Avenger features in motion.



The sit-down and saddle-up styling of Dodge Avenger makes a bold statement from every angle. The short deck lid and aggressive rear muscle bulge fit its athletic stance, with sculpted wheel openings and R/T's available 18-inch Razor chrome-clad wheels ready to roll with authority. The sleek rear spoiler and dual chrome exhaust tips lend a hint of Avenger R/T's formidable power.

Dodge Avenger R/T in Inferno Red Crystal Pearl.

AVENGER IS FORTIFIED WITH A COMBINATION OF STATE-OF-THE-ART SAFETY AND SECURITY FEATURES. THE ENGINE, BRAKING, AVAILABLE ALL-WHEEL DRIVE (AWD), AND SAFETY AND SECURITY SYSTEMS ALL COMMUNICATE ELECTRONICALLY TO OPTIMIZE PROTECTION. AVENGER'S ELECTRICAL ARCHITECTURE USES CONTROLLER AREA NETWORK (CAN) — A HIGH-SPEED PROTOCOL FOR INTER-VEHICLE COMMUNICATIONS WHICH OPERATES UP TO EIGHT TIMES FASTER WHEN INTEGRATING ALL ELECTRONIC SYSTEMS. WHEN IT COMES TO A QUICK RESPONSE, AVENGER'S SYSTEMS WERE BUILT FOR SPEED.

1 TIRE PRESSURE MONITORING SYSTEM. A Tire Pressure Monitoring System alerts the driver to low-pressure tires via a warning light in the instrument cluster. A premium system displays individual tire pressure, and is included with the available Electronic Vehicle Information Center (EVIC).

2 STEERING. Firm-feel power-assisted rack-and-pinion steering balances comfort with ease of operation, providing good on-center feel. Performance power steering on Avenger R/T is tuned for enhanced responsiveness.





SAFETY, SECURITY AND QUALITY

1 STANDARD ADVANCED MULTISTAGE DRIVER AND FRONT-PASSENGER AIR BAGS.* Standard advanced multistage driver and front-passenger air bags provide nearly instantaneous occupant protection by matching air bag output to crash severity. **2 STANDARD SUPPLEMENTAL DRIVER AND FRONT-PASSENGER SEAT-MOUNTED AIR BAGS.*** Front-seat-mounted side air bags provide enhanced thorax protection in case of a side impact. **3 STANDARD SUPPLEMENTAL SIDE-CURTAIN AIR BAGS.*** Standard supplemental air bags deploy from the headliner to provide two rows of side-impact protection to outboard occupants. **4 ANTILOCK BRAKE SYSTEM (ABS).** Available four-wheel antilock disc brakes afford premium stopping power from state-of-the-art electronics that provide faster system response. ABS senses and prevents wheel lockup, offering improved steering control under extreme braking and/or slippery conditions. **5 ELECTRONIC STABILITY PROGRAM (ESP).†** In adverse conditions, the available Electronic Stability Program with Brake Assist works with an advanced all-speed traction control system to help the driver maintain vehicle directional stability and limit oversteering or understeering. Brake Assist detects conditions when maximum force is needed for optimum stopping power. **6 CRUSH ZONES.** The front structure includes three crush zones designed to absorb impact energy and direct it away from the passenger compartment in the unfortunate event of an accident. **7 NOISE, VIBRATION AND HARSHNESS (NVH) CONTROL.** That noise you don't hear didn't disappear by accident. Computer Aided Engineering (CAE) as well as 300 hours of wind tunnel testing helped tune all the frequencies of the vehicle for optimum NVH control and structural performance. Avenger's advanced aero-acoustics make the driving experience quieter in several ways. The ridged body shell with insulated inner surfaces and exterior body close-outs helps limit noise. Triple weather stripping between the doors and body ensure effective sealing to reduce cabin wind noise even further. Expandable Polyurethane Foam (PUR) injected into cavities in the body structure prevents them from vibrating for a smoother, quieter ride. (Reaction between PUR's chemical components causes rapid expansion that fills the cavities.) While extensive testing and refinement reduced noise from outside, tuning the air induction and exhaust systems limits powertrain noise, and all engines include acoustic engine covers to absorb and dampen noise.

*Always sit properly in the seat with the seat belt fastened. Children 12 and under should always be in a backseat correctly using an infant or child restraint system or the seat belt positioned correctly for the child's age and weight. †No system, no matter how sophisticated, can repeal the laws of physics or overcome careless driving actions. Performance is limited by available traction, which snow, ice and other conditions can affect. When the ESP warning lamp in the speedometer flashes, the driver needs to use less throttle and adapt speed and driving behavior to prevailing road conditions. Always drive carefully, consistent with conditions. Always wear your seat belt.



Even curbside, this cat looks poised to pounce. The aluminum hood features a stamped formation in the center that echoes the grille's crosshair attitude. And Side Window Air Deflectors, an Authentic Dodge Accessory by Mopar, add sleek markings to Avenger's dominant presence.

Avenger SE in Inferno Red Crystal Pearl.



AVENGER R/T. R/T is the total package, with YES Essentials® Seat Fabric and leather-wrapped steering wheel and shift knob, rear spoiler, 18-inch Motive ultra-brite machined aluminum wheels, all-season performance tires, fog lamps, dual exhaust with chrome tips, sport-tuned suspension, 3.5-liter High Output V6 with 6-speed AutoStick® transaxle and available all-wheel drive (AWD). Available Boston Acoustics® sound system with a 276-watt amplifier and six speakers and standard 6-disc radio. Opt for the available two-tone leather-trimmed interior and R/T makes a bold style statement on the inside too.

AVENGER SXT. The SXT has a standard antilock brake system (ABS), chrome grille surround, a fold-flat front-passenger seatback, an 8-way power driver's seat, an available Sound Group with Boston Acoustics® 6-speaker system, standard single-disc radio and leather-wrapped steering wheel with audio controls. The Sport Appearance Group with the 2.4-liter World Engine* includes fog lamps and a rear spoiler. The Sport Appearance Group with the optional 2.7-liter Flex Fuel V6* also includes 18-inch Motive ultra-brite machined aluminum wheels and tires. A new Safety/Security and Convenience Group is also available.*

AVENGER SE. Standard equipment includes Chill Zone,™ SIRIUS® Satellite Radio, 60/40 split-folding rear seats, power doors, locks, windows, and mirrors, odometer with outside temperature control, Sentry Key® Theft Deterrent System, rack-and-pinion power steering and power brakes, six standard air bags, Tire Pressure Monitoring System, rear-door map pockets with bottle holders, remote keyless entry, security alarm, 16-inch Orian wheel covers, standard single-disc radio, and more.

*Features vary based on model.



AVENGER FABRICS

EXTERIOR COLOR

Bright Silver Metallic
 Brilliant Black Crystal Pearl
 Inferno Red Crystal Pearl
 Light Sandstone Metallic
 Marathon Blue Pearl
 Modern Blue Pearl
 Silver Steel Metallic
 Stone White
 Sunburst Orange Pearl

R/T	SXT	SE
D (A,B)	D (B)	F
D (A,B)	C,D (B)	E,F
D (A,B)	C,D (B)	E,F
A	C	E
D (A,B)	D (B)	F
D (A,B)	C,D (B)	E,F
D (A,B)	D (B)	F
D (A,B)	C,D (B)	E,F
D (A,B)	C,D (B)	E,F

STANDARD ON ALL MODELS
 standard (optional)



**A Radar Perforated
 Leather/Sutton Vinyl**
 Dark Slate Gray/Light Graystone



**C Canyon and Racine Cloth
 with YES Essentials®**
 Dark Khaki



E Evolution and Wallace II Cloth
 Dark Khaki



B Slate Gray/Light Slate Gray

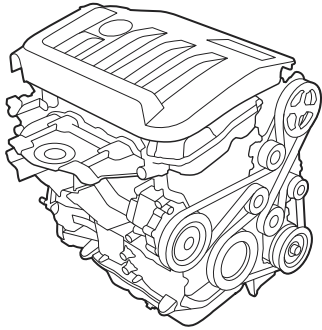


D Medium Slate Gray



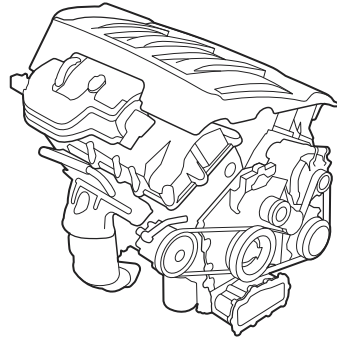
F Medium Slate Gray

AVENGER ENGINES



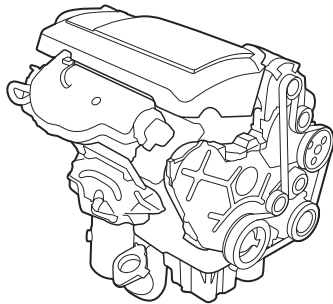
2.4-LITER WORLD ENGINE

The 2.4-liter World Engine with dual Variable Valve Timing (VVT)* provides a strong balance of fuel economy¹ and solid performance, with 173 horsepower.



2.7-LITER FLEX FUEL* ENGINE

The 2.7-liter DOHC 24-valve Flex Fuel V6 engine runs on E85 (ethanol) as well as regular gasoline. It combines performance, fuel economy,¹ exhaust emissions control, quietness and durability.



3.5-LITER ENGINE

The 3.5-liter High Output V6 engine on Avenger R/T with 6-speed AutoStick[®] transaxle and sport-tuned suspension pumps out 235 horsepower and 232 lb-ft of torque.

*Not available in CA, CT, NY, MA, ME, PA, RI and VT. A 2.4-liter PZEV or 2.7-liter gas engine is substituted.
¹2.4-liter EPA est. mpg 21 city/30 hwy, 2.7-liter EPA est. mpg 19/27.

AVENGER WHEELS



1



2



3



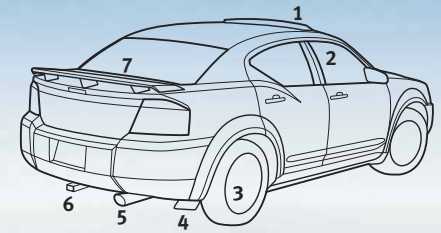
4



5

- 1 18-inch Razor chrome-clad wheel (optional on R/T)
- 2 18-inch Motive aluminum wheel (standard on R/T; optional on SXT)
- 3 17-inch Reveal aluminum wheel (standard on SXT)
- 4 17-inch 5-spoke chrome wheel (Dodge Accessory)
- 5 16-inch Orian wheel (standard on SE)

AUTHENTIC DODGE ACCESSORIES



Visit mopar.com for more info on these accessories.

AUTHENTIC DODGE ACCESSORIES BY MOPAR

When you enhance your Avenger with Authentic Dodge Accessories by Mopar, you gain far more than substantial style, premium protection or extreme entertainment. You also benefit from the authentic difference found only in an original equipment accessory. It's a difference that demands tighter tolerances and envelope-pushing testing methods. And one backed by a superior warranty* serviced by Dodge dealerships nationwide. Choose the full line of accessories that feature a fit, finish and functionality designed specifically for your Avenger. Check us out at mopar.com.

FLAT-OUT STYLE: AVENGER EXTERIOR ACCESSORIES

1 SUNROOF AIR DEFLECTOR. Keep wind noise to a minimum and enjoyment to the maximum while deflecting air and debris up and over your sunroof opening while the vehicle is moving.
2 SIDE WINDOW AIR DEFLECTORS. Now you can partially open your side windows while remaining dry in even the nastiest of weather. Air deflectors are constructed of tinted acrylic and are available in sets of four.
3 17-INCH 5-SPOKE CHROME WHEEL. Style, meet substance. Our premium wheels are machined to match your Avenger's hubs exactly for a balanced ride and undergo stringent testing for optimal durability and a long-lasting shine.
4 MOLDED SPLASH GUARDS. Help protect the rear fascia of your Avenger from damage caused by gravel, salt and road debris, while adding some straight-on good looks. Guards available for rear only.
5 CHROME EXHAUST TIP. Add a bright, bold touch to the back of your Avenger with this corrosion-resistant, chrome exhaust tip.
6 HITCH RECEIVER.* Your Avenger will really haul when it's equipped with this Class I Hitch Receiver with a towing capacity of up to 1,500 pounds. Ball Mount, Hitch Ball, Wiring Kit and Hitch Plug sold separately.
7 REAR SPOILER. Give your Avenger a little aerodynamic attitude. Our spoilers undergo rigorous testing to prevent vibration and to ensure durability.

*Check Owner's Manual for hitch type, load capacity and heavy-duty equipment required. Do not exceed rated tow capacity of the vehicle as equipped. Towing may require some items not supplied by Chrysler LLC.

Visit dodge.com/avenger/safety_security to see Avenger features in motion.

AVENGER BUYER'S GUIDE

FEATURES COMMON ACROSS ALL TRIM LEVELS

AIR BAGS	— Front Advanced Multistage driver and passenger
	— Side-curtain for front and rear outboard occupants
	— Front-seat-mounted
AIR CONDITIONING	— Manual
ANTENNA	— Removable short mast
BATTERY	— 525-amp, maintenance-free
CARPET	— Floor
CHILD SEAT ANCHOR SYSTEM (LATCH)	
COMPACT SPARE	
CONSOLE	— Floor with fore/aft slide armrest
DECK LID	— Power release
DEFROSTER	— Rear window
DOOR HANDLES	— Body-color (Black on SE with Brilliant Black or Modern Blue exterior)
DOOR LOCKS	— Power
	— Rear child protection
ELECTROLUMINESCENT CLUSTER	— Includes outside temperature reading
FUEL TANK	—16.9-gallon
GLASS	— Tinted, front and rear Solar-Control
HEADLAMPS	— Quad with LHD optics
HEADLINER, BASE	— Coat hooks, dome lamp, driver and passenger sun visor with mirror
HOOD INSULATION	
HOOD PROP ROD	
INSIDE EMERGENCY TRUNK LID RELEASE	
INSTRUMENT PANEL WITH CHILL ZONE™	
ODOMETER	— With outside temperature control
POWER OUTLETS	— 12-volt center stack-mounted
	— 12-volt center console-mounted
REAR SEATS	— 60/40 split-folding with fold-out armrest
REMOTE KEYLESS/ILLUMINATED ENTRY	
SEAT BELTS	— Front three-point with shoulder adjustment
	— Rear, outboard and center three-point
SECURITY ALARM	
SENTRY KEY® THEFT DETERRENT SYSTEM	
SIRIUS® SATELLITE RADIO SYSTEM	
SPEED CONTROL	
SPEEDOMETER	— 120-mph, with tachometer
STEERING COLUMN	— Tilt/telescoping, manual
STONE GUARD	— Front, rear
STORAGE BIN	— Instrument panel
TIRE PRESSURE MONITORING WARNING LAMP	
WINDOWS	— Tinted with front and rear Solar-Control
WIPERS	— Variable intermittent

• = Standard. P = Available within package noted. O = Optional. X = Included in package shown on specific trim level.

⁽¹⁾Certified to the Federal Regulations that allow less forceful front air bags. Always use seat belts. Children 12 and under should always be in a backseat correctly using an infant or child restraint system, or the seat belt positioned correctly for the child's age and size.

	SE	SXT	R/T	R/T AWD
ENGINE AND TRANSMISSION				
2.4L DOHC 16V I-4/4-SPEED AUTOMATIC	24Y	24L		
2.7L DOHC 24V V6 FLEX FUEL/4-SPEED AUTOMATIC			28M	
3.5L HIGH OUTPUT V6/6-SPEED AUTOSTICK®			26S	26S
MECHANICAL				
ALTERNATOR	•	•		
— 120-amp				
— 140-amp			•	•
BRAKES	•			
— Power, front disc rear drum				
— Antilock, front disc rear drum		•		
— 4-wheel disc, antilock (included in Safety/Security and Convenience Group)		P	•	•
ELECTRONIC STABILITY PROGRAM — All-speed traction control and Brake Assist (included in Safety/Security and Convenience Group)		P	P	P
ENGINE BLOCK HEATER	O	O	O	O
REMOTE START SYSTEM (packaged in Convenience and Premium Convenience Groups)		P	P	P
STABILIZER BARS	•	•		
— Front				
— Front and rear (included with ESP)		P	•	•
STEERING	•	•	•	•
— Power, rack-and-pinion				
— Firm feel				•
SUSPENSION	•	•		
— Normal duty				
— Touring (included with ESP)		P	•	•
— Sport				•
EXTERIOR FEATURES				
DAYTIME RUNNING LAMPS (included in Safety/Security and Convenience Group)		P	P	P
EXHAUST TIPS — Dual, bright			•	•
FOG LAMPS (included in Sport Appearance Group)		P	P	•
GRILLE	•			
— Body-color				
— Bright/Black		•	•	•
HEADLAMPS — Automatic (packaged in Premium Convenience Group)		P	P	•
MIRRORS	•	•	•	
— Power, Black				
— Power, Black, heated (included in Convenience Group)		P	P	
— Power, heated, fold-away, body-color				•
MOLDING — Body-color (packaged in Safety/Security and Convenience Group)		P	P	•
POWER EXPRESS OPEN/CLOSE SUNROOF — Includes Premium Headliner		O	O	O
SPOILER, REAR		P	P	•
— Included with Sport Appearance Group				•
— Spoiler delete				O
TIRES	•			
— P215/65 R 16 BSW AS				
— P215/60 R 17 BSW AS		•	•	

	SE	SXT	R/T	R/T AWD
EXTERIOR FEATURES (CONTINUED)				
TIRES (CONTINUED)				•
— P215/55 R 18 BSW AS Performance				
— P215/55 R 18 BSW AS Touring (included in Sport Appearance Group)		P		•
WHEELS	•			
— 16-inch Orian wheel cover (W6H)				
— 17-inch Reveal aluminum wheel (WFJ)		•	•	
— 18-inch Motive ultra-brite (included in Sport Appearance Group) aluminum wheel (WPT)			P	•
— 18-inch Razor chrome-clad (WPL)				O
— 17-inch 5-Spoke Chrome Wheel (Dodge Accessory)	O	O	O	O
INTERIOR FEATURES				
AIR CONDITIONING — Automatic Temperature Control (included in Premium Convenience Group)		P	P	•
AIR FILTRATION SYSTEM (included in Premium Convenience Group)		P	P	P
BEZELS	•			
— Silver				
— Silver with Chrome accents		•	•	•
FLOOR MATS — Premium, front and rear	O	•	•	•
HEADLINER				
— Premium — Coat hooks, rear-passenger assist handles, sun visor with illuminated mirrors, front/rear aimable LED lamps, front driver and passenger sunglasses holder (included with Sunroof and Premium Convenience Group)		P	P	P
— Premium with Universal Garage Door Opener (packaged in Premium Convenience Group)				P
HEATED/COOLED CUP HOLDER — Located in front console. Keeps beverages hot up to 140° and cool down to 35° (included in Premium Convenience Group)		P	P	P
INSTRUMENT CLUSTER DISPLAY — Temperature and compass gauge; traveler/mini trip computer; tire pressure monitoring display (included in Premium Convenience Group)		P	P	P
MIRROR	•	•	•	
— Rearview, day/night				
— Rearview, auto-dimming				•
— Rearview, auto-dimming with microphone (packaged with UConnect® and MyGIG® and included in Safety/Security and Convenience Group)		P	P	P
SHIFT KNOB	•	•	•	
— Urethane				
— Leather-wrapped (included in Leather Interior Group)		P	P	•
STEERING WHEEL	•	•	•	
— Sport				
— Leather-wrapped with audio controls (included in Leather Interior Group and in Sound Group)		P	P	•
— Tu-tone leather-wrapped, with perforated lower (included with *AL)				P
UCONNECT HANDS-FREE COMMUNICATION SYSTEM (included in Safety/Security and Convenience Group and with MyGIG radio [RER])		P	P	P
WINDOWS	•	•	•	
— Power, driver one-touch down				
— Power, front with one-touch up/down, front windows down on key fob (packaged in Convenience Group)		P	P	•

	SE	SXT	R/T	R/TAWD
SEATING AND TRIM				
FRONT				
— Cloth, low-back bucket	•			
— YES Essentials® Premium cloth, low-back bucket	•	•	•	•
— Leather-trimmed, low-back bucket (included in Leather Interior Group)	P	P	P	P
— Fold-flat passenger seatback with integrated storage container	•	•	•	•
— Power, 8-way driver's seat	•	•	•	•
— Heated (included in Convenience, Leather Interior Groups and optional Leather Seats *AL and in Premium Convenience Group)	P	P	P	P
— Manual Driver Lumbar Adjuster	•	•	•	•
ENTERTAINMENT SYSTEMS				
RADIO				
— AM/FM/CD/MP3 (RES)	•	•	•	
— AM/FM/6-disc/DVD/MP3 (REQ)			•	•
MyGIG® ENTERTAINMENT SYSTEM — AM/FM/CD/MP3 (REN)	O	O	O	O
MyGIG INFOTAINMENT SYSTEM — AM/FM/CD/MP3/Navigation (REN)	O	O	O	O
REAR SEAT VIDEO ENTERTAINMENT SYSTEM (VES) — Includes remote control and headphones	O	O	O	O
SPEAKERS				
— Four	•			
— Six	•	•		
— Six, Boston Acoustics® (included in Sound Group)	P	P	O	O
PACKAGES				
CONVENIENCE GROUP				
— Heated cloth front seats	X	X		
— Heated exterior mirrors	X	X		
— Remote Start System	X	X		
— Windows down on key fob	X	X		
— Express up/down front windows on key fob	X	X		
LEATHER INTERIOR GROUP				
— Leather-trimmed seats	X	X		
— Heated front seats	X	X		
— Leather-wrapped steering wheel with audio controls	X	X		
— Leather-wrapped shift knob	X	X		
LEATHER INTERIOR OPTION (*AL)				
— Leather-trimmed seats (*AL)			X	X
— Tu-tone perforated leather-wrapped steering wheel			X	X
— Heated front seats			X	X
PREMIUM CONVENIENCE GROUP				
— Air conditioning with Automatic Temperature Control	X	X		
— Air filtration system	X	X	X	X
— Automatic headlamps	X	X		
— Heated/cooled front console cup holder	X	X	X	X
— Heated front seats			X	X

PACKAGES (CONTINUED)

	SE	SXT	R/T	R/TAWD
PREMIUM CONVENIENCE GROUP (CONTINUED)				
— Instrument cluster with display screen (EVIC)		X	X	X
— Premium headliner		X	X	X
— Cargo Organizer		X	X	X
— Universal Garage Door Opener			X	X
— Remote Start System			X	X
SAFETY/SECURITY AND CONVENIENCE GROUP				
— Body-color, bodyside molding		X	X	
— Electronic Stability Control with all-speed traction control		X	X	X
— 4-wheel disc ABS		X		
— Touring suspension		X		
— Daytime running lamps		X	X	X
— UConnect® with electrochromatic mirror with microphone		X	X	X
SOUND GROUP				
— Boston Acoustics speaker system		X	X	
— Leather-wrapped steering wheel with audio controls		X	X	
SMOKER'S GROUP				
— Removable ash receiver		X	X	X
— Cigar lighter		X	X	X
SPORT APPEARANCE GROUP				
— Fog lamps		X		
— Rear deck lid spoiler		X		
SPORT APPEARANCE GROUP				
— Fog lamps			X	
— Rear deck lid spoiler			X	
— 18-inch aluminum wheels			X	
— P215/55R18 BSW AS tires			X	

• = Standard. P = Available within package noted. O = Optional. X = Included in package shown on specific trim level.

⁽¹⁾Certified to the Federal Regulations that allow less forceful front air bags. Always use seat belts. Children 12 and under should always be in a backseat correctly using an infant or child restraint system, or the seat belt positioned correctly for the child's age and size.

Chrysler Financial

With Chrysler Financial, you can get great finance options, competitive rates and flexible payment plans. Learn more about your financing benefits and even submit a credit application at chryslerfinancial.com.

REWARDS VISA

With the Dodge Rewards Visa credit card, you earn points for every purchase you make which can be redeemed for anything at your Chrysler, Jeep®, or Dodge dealership — all with no annual fee! Visit dodgecreditcard.com for more information on how to apply!

AUTO INSURANCE

The only insurance guaranteed to repair your vehicle using Authentic Dodge Collision Repair Parts by Mopar for as long as you own your Dodge vehicle, and up to \$100 off your deductible when those repairs are done at a Dodge dealership — all at rates that are tough to beat. For a free quote, visit www.dodgeautoinsurance.com or call 800-836-1598 and mention keycode QL9XXX.

BUSINESSLINK

If your business relies on vehicles, Dodge BusinessLink can save you time, money and hassles. For more, log on to dodge.com/businesslink or call us toll-free at 877-2THE LINK (877-284-3546).



Enhance your Dodge Avenger with Authentic Dodge Accessories by Mopar. They're designed specifically for your vehicle, for exceptional fit, finish and performance. Visit your dealership or mopar.com.

the goods

The Dodge Goods catalog is a handpicked collection of items bearing the powerful Dodge name — from Motorsports apparel and collectible die-cast models to the latest in work and ranch wear. It's all found at dodge.com/goods. Call 877-789-DODGE (3634) for a free catalog.

Service Contract

Your Dodge is one of the best performing vehicles on the road. Why not protect your investment with a Chrysler Service Contract or Maintenance Plan? For more information, see your Dodge dealer, call 1-800-442-2666 or visit servicecontracts.chrysler.com.

SIRIUS SATELLITE RADIO

SIRIUS Satellite Radio delivers over 130 channels including 100% commercial-free music, sports, news, talk, entertainment, traffic and weather. Factory-installed SIRIUS Satellite Radio includes a one-year subscription. For more information, go to sirius.com.

Boston Boston Acoustics

All Boston Acoustics sound systems offer The Boston Sound, renowned for smooth tonal balance, natural frequency response, and distortion-free presentation, even at high volume.

LIFETIME POWERTRAIN WARRANTY

The 2008 Dodge Avenger includes a Lifetime Powertrain Limited Warranty. See dealer for a copy of limited warranty and details. Non-Transferable. Not available on SRT, diesel vehicles, Sprinter, Ram Chassis Cab, and certain fleet vehicles.

3/36 LIMITED WARRANTY

All Dodge vehicles are covered by the Chrysler 3-year/36,000-mile Basic Limited Warranty. See dealer for a copy of this limited warranty. Excludes normal maintenance and wear items.

About this catalog: Since the time of printing, some of the information you'll find in this catalog may have been updated. Ask your dealer for details. Some of the equipment shown or described throughout this catalog is available at extra cost. Specifications, descriptions, illustrative materials, and all competitive comparisons contained herein are as accurate as known at the time this publication was approved for printing. Chrysler LLC reserves the right to discontinue models at any time or change specifications without notice or without incurring obligation. All options are required in combination with other options. For the price of the model with the equipment you desire, or verification of specifications contained here, see your Dodge dealer. Dodge, Mopar, HEMI, MyGIG, UConnect, HomeLink, Sentry Key and VES are registered trademarks of Chrysler LLC. Chill Zone is a trademark of Chrysler LLC. iPod and the iPod design are registered trademarks of Apple Computers, Inc. "SIRIUS" and the SIRIUS dog logo are registered trademarks of SIRIUS Satellite Radio Inc. "NFL" is a registered trademark of the National Football League, "NBA" is a registered trademark of NBA Properties, Inc. NASCAR® is a registered trademark of the National Association for Stock Car Auto Racing, Inc. All other trademarks, service marks and logos are the property of their respective owners. For full terms and conditions, visit sirius.com. Prices and programming are subject to change. Not available in AK and HI. Insurance is underwritten by member companies of American International Group, Inc. Boston, Boston Acoustics, and the Boston logo are registered trademarks and the Boston Sound is a trademark of Boston Acoustics, Inc. YES Essentials is a registered trademark of Milliken & Company.

dodge.com » 800-4ADODGE

