



MASERATI

MASERATI GRANTURISMO MC



Images provided by
MOTOR PRESS

“I HAVE RACED AND WON IN CARS OF ALL MARQUES BUT I ALWAYS HAD A SPECIAL RELATIONSHIP WITH MASERATI: NOT ONLY WERE THE CARS SAFE, RELIABLE AND ALWAYS ABSOLUTELY TECHNICALLY AVANT-GARDE, BUT THERE WAS A VERY SPECIAL FRIENDSHIP AND ATMOSPHERE BETWEEN MYSELF AND THE MARQUE, I FELT COMPLETELY AT HOME.”

Juan Manuel Fangio

A close-up, monochromatic photograph of a Maserati car's front end, showing the intricate details of the grille and hood. The image is rendered in shades of gray, emphasizing the car's curves and textures.

MASERATI

Maserati epitomizes the long Italian tradition of designing and building fine cars. It is a tradition of striving for perfection in every detail, enabling drivers to thrill to the power of thoroughbred engines, and ensuring the comfort and pleasure of every passenger. Each new Maserati is a testament to the marque's rich history, carrying with it an unrivalled racing pedigree, luxurious comfort and an unmistakable style.



GRANTURISMO MC. RACE INSPIRED LUXURY 4

SUPERCAR PERFORMANCE, SUPERMODEL LOOKS12

ULTIMATE PERFORMANCE WITHOUT COMPROMISE.....19

A CUSTOM-MADE MASTERPIECE30

THE WORLD OF MASERATI.....39



Information Provided by:

DEALER
E-PROCESS

GRANTURISMO MC. RACE INSPIRED LUXURY.

The GranTurismo MC is the ultimate embodiment of Maserati's knowledge gained over nearly a century of creating the finest cars for road and track. The GranTurismo MC is a road car with authentic racing genes. A unique car with the unmistakable style of the GranTurismo, renowned for its performance, design and comfort, it is also a car with the sporting heritage of Maserati Corse, a synonym for pure adrenaline, whose name it wears with pride. To automotive enthusiasts worldwide, Maserati Corse is also synonymous with competition, continuous development, and lasting victory. It is at once the heritage of Italian craftsmanship and attention to detail and technology tried and tested on the track for exceptional, accessible performance. This is the synergy that has given birth to Maserati's most powerful and fastest production car: the GranTurismo MC is the first road car in the Maserati range to brake the 186 mph(300 km/h) barrier.





Information Provided by:





**OUTSTANDING ROAD PERFORMANCE:
THE GRANTURISMO RANGE.**

The unique style of Maserati's newest car is inherited from the family to which it belongs: the GranTurismo range, four-seat cars of unparalleled elegance and performance, the ultimate marriage of luxury and sports. The GranTurismo MC takes the GranTurismo S to the next level; this sportier version of the coupe, designed by Pininfarina and powered by a 4.7 L V8 engine, is emblematic of exclusivity and performance, making excitement part of each fortunate owner's everyday experience. While the GranTurismo MC is the very epitome of the modern grand tourer, its inspiration owes much more to the track than the road.







**EXCELLENCE ON THE TRACK:
THE GRANTURISMO MC TROFEO.**

Unbeatable performance. Ever more advanced technical solutions to drive reliability and handling. It's on the track, on the best race circuits around the world, that Maserati fully develops the sporting potential of its cars. From the FIA GT1 World Championships, where both Drivers' and Teams' titles fell to the mighty MC12, to the European series "Trofeo Maserati GranTurismo MC" for discerning gentleman drivers, every competition in which Maserati Corse participates is an opportunity to set new standards, and the GranTurismo MC is the most recent product of this synchronicity between Maserati's racing activities and its road cars.

This latest Maserati inherits its purposeful design from its racing sibling, the GranTurismo MC Trofeo. A car developed in response to the specific needs of racing with innovative solutions tested in the unforgiving environment of the track: nowhere but on the track can cars be pushed to their true limits. The GranTurismo MC is the reward of the hand-in-hand development of Maserati's race and road cars: the symbol of synergy and the search for excellence.





Information Provided by

EUROPEAN MODELS SHOWN

SUPERCAR PERFORMANCE, SUPERMODEL LOOKS.

When Maserati combines the excellence of its road cars with the adrenaline of Maserati Corse, the result has to be the perfect mix of elegance and power, the epitome of beauty and sporting aggression: the new GranTurismo MC. Its form is the perfect solution to the combined demands of aerodynamics and style, while the interior, featuring prestigious materials like one of the finest Italian leather from Poltrona Frau and Alcantara®, perfectly weds the ultimate aesthetics of luxury and performance.





MASERATI

GT 450 MC



NEW BODYWORK STYLING.

Directly inspired by our racing department, Maserati Corse, the streamlined styling of the GranTurismo MC makes a positive statement expressing craftsmanship and high performance. Our experience of racing and fluid dynamics have allowed us to create an aerodynamic body with 25% more downforce at the front and 50% more at the rear than the GranTurismo S at 124 mph (200 km/h). In particular, the front spoiler, skirts and slots in the front fenders combine to press the front of the car down at high speeds, cool the brakes, extract hot air from the brakes and deliver downforce over the entire car. The side skirts have been integrated with the vents to channel airflow beneath

the car, creating downforce to improve control at speed. The car's highly sophisticated aerodynamics include two slots on the hood to cool the engine compartment. The rear bumper has been redesigned for centrally located exhausts and combined with the diffuser profile to promote more efficient and directed air flow from under the body. These apertures further stabilize the air flow behind the car to improve aerodynamic efficiency, while the rear spoiler produces additional downforce at high speeds. The wheels are equally sophisticated: the 20" flow-formed rims of the GranTurismo MC are lighter, to reduce unsprung weight, and bear the renowned Trident symbol on their double spokes—another statement of Maserati tradition.

Information Provided by:





Information Provided

CARBOCERAMIC BRAKES NOT AVAILABLE FOR THE AMERICAN MARKET



INTERIOR.

The cabin fully expresses the unique design of the new GranTurismo MC, with numerous details combining to create a special environment of comfort, purpose and excitement: the seats clad in fine Italian Poltrona Frau leather, the combination of leather and Alcantara® interior trim, redesigned instrument panel and a new dashboard layout. The front seats—with the proud Maserati Trident embroidered on the headrests—offer excellent support in all driving conditions, and the rear seats allow this most high-performance Maserati to do the seemingly impossible—carry four adults in comfort at speed.

The overall styling of the dashboard is very different from that of the GranTurismo S: in line with the car's more sporting concept, the luxury oriented chrome detailing has been replaced with a more racy aesthetic in black. Alcantara® covers the central console, the central armrest, the door panel armrests, handles and the dashboard binnacle hood.

DASHBOARD AND INSTRUMENT PANEL.

The evolution of the interior has also transformed the instrument panel, where Maserati's traditional blue background has been replaced by purposeful black, with completely new white graphics.

COMFORT.

In the GranTurismo MC both the driver and passenger will be able to enjoy the car's exceptional comfort and attention to detail. The front seats are designed to provide outstanding comfort, as well as offering good lateral support in high speed cornering. They also ensure an ergonomic seating posture which prevents fatigue even during long drives.



EUROPEAN MODEL SHOWN





ULTIMATE PERFORMANCE
WITHOUT COMPROMISE.

Having been developed from a race car, the GranTurismo MC is an unusually exciting and responsive road car. This is due to its engine, more powerful than that of the GranTurismo S, its improved aerodynamics and suspension, which makes the GranTurismo MC feel more agile and dynamic than ever.



ENGINE.

The heart of the GranTurismo MC is its 4.7 L V8 engine, which puts out 444 hp (330 kW) at 7,000 rpm. Power, flexibility and instant response when cornering are all heightened by the torque of 376 lb-ft (510 Nm) at 4,750 rpm, with a steeper curve at lower revs. Many of the improvements to the V8 engine are due to reduced friction, thanks to the redesigned oil sump fluid dynamics and DLC coating (Diamond-Like Coating) on the tappets and camshaft lobes. The result is a smoother and more powerful engine with reduced consumption and consequently lower emissions, which gives unbeatably fluid gear changes while responding to the accelerator with an aggressive thrust and roar, controlled by the pneumatic exhaust system valves.

Furthermore, just like on the GranTurismo S, the alloy engine with steel cylinder liners is exceptionally light and compact, especially along the car's longitudinal axis. The optimized dynamics are also due to the single timing chain system which gives a lighter response, improved reliability and reduced consumption.

Finally, in line with Maserati's most recent philosophy, the engine features a wet sump lubrication system, reducing the number of oil recovery pumps and extraneous noise: all to the advantage of the perfect combination of comfort and sports performance.



TRANSMISSION.

All the power that the V8 engine produces is harnessed by the proven technology of a six-speed automatic transmission, commissioned from ZF—the company that sets the industry standard. First introduced in 2007, the transmission has proved itself the ideal partner, as adept at handling power when cruising as it is at reacting instantly when the pace quickens.

For the GranTurismo MC, the programming of the transmission has been further enhanced. In Sport mode the MC Autoshift programming is activated to execute a perfect blip of the throttle on downshifts, and to hold each gear at the red line on acceleration until the driver selects the next one; this eliminates the possibility of an unexpected gear change when cornering. The acceleration mapping has been improved for even better throttle response, and a new MC Start Strategy has been introduced for optimal standing start acceleration.

OPTIMIZED WEIGHT DISTRIBUTION.

Throughout its long history of providing the best automobiles for competition and daily use, Maserati has paid special attention to optimizing weight distribution in the quest for ever better handling. Maserati engineers have achieved their objective by selecting all components with an obsessive attention to detail, including the special 20" MC-Design alloy rims, designed for an aggressive look and flow-formed for even lower unsprung weight.





SUSPENSION.

For the highest performing car in the GranTurismo range, a 10 mm lower setup has been developed for optimal handling and driving pleasure. Its standard single-rate dampers are stiffer, and the GranTurismo MC includes larger-diameter roll bars which minimize lateral load shifts (roll angle: -20%); overall, the car's rigidity is increased by 16% at the front and 32% at the rear. The new setup is combined with a special MSP (Maserati Stability Program) calibration, which gives the driver greater freedom of action. Maserati's acclaimed Skyhook adaptive suspension is available as an option.

EXHAUST AND BYPASS VALVE SYSTEM.

The acoustics of every Maserati receive special attention, and the GranTurismo MC is no exception. A Maserati like this, designed for the road but developed through racing, must have an intense, unmistakable sound: this has been achieved by perfectly matching the exhaust with the insulation and using lighter rear silencers for a richer, more satisfying sound. The exhaust is also equipped with a hinged silencer bypass valve to further enhance the GranTurismo MC's sportiness. The valve is permanently open in Sport mode. The MC doesn't just sound like a race car; just as they are on the GT4 and MC Trofeo race cars, the exhausts are higher and more centrally located to further emphasize the sharper character of the GranTurismo MC.





CARBONCERAMIC BRAKES NOT AVAILABLE FOR THE AMERICAN MARKET



TIRES.

The GranTurismo MC is equipped with the latest generation of performance tires (255/35 ZR20 front and 295/35 ZR20 rear) developed by Pirelli, who also makes the tires for the GranTurismo MC Trofeo.

Designed for optimal performance on both road and track, the 20" Pirelli PZero Corsa tires are slightly wider than those provided as standard equipment on the GranTurismo S and offer increased grip without compromising handling and comfort. Thanks to their design and the use of materials conceived and refined by Pirelli for racing, they guarantee unbeatable grip and response, together with improved precision and constant efficiency even on the track.

The rear tires feature an asymmetrical tread with large blocks on the outer shoulder for improved lateral grip, while the front tires have a directional tread for outstanding grip on both wet and dry surfaces.



ACTIVE SAFETY.

The new GranTurismo MC boasts exceptional control in all conditions, thanks to its advanced control logic, the MSP (Maserati Stability Program) system which is always active in the background, without depriving the driver of the sensation of total control at all times. Thanks to the ideal balance of 48.5% front and 51.5% rear weight distribution, obtained by setting the engine behind the front axle, road holding and grip under acceleration are also outstanding.

MASERATI STABILITY PROGRAM (MSP).

Developed exclusively by Maserati, the MSP encompasses a series of electronic systems that are designed to optimize the car's dynamics and safety capabilities on the road. The system has a series of sensors that can detect anomalies in the dynamic behavior of the car and, by using the brakes and the engine the system automatically helps to stabilize the car.

The MSP system is designed to:

- Recognize the onset of skidding and helps stabilize the car in milliseconds;
- Help prevent the wheels from locking under braking (ABS);
- Distribute the braking force between the front and rear axles to help maximize braking force (EBD);
- To help prevent the drive wheels from spinning on low grip surfaces (ASR);
- To help prevent the drive wheels from locking when down shifting on low-grip surfaces (MSR).

When the Sport mode button is pressed, the action of the MSP is moderated to provide more sporty handling. The cut-in threshold is moved upwards and the system acts primarily on the brakes without affecting engine power delivery.

MASERATI STANDARD LIMITED SLIP DIFFERENTIAL.

A standard Limited Slip Differential helps maximize available traction under power. It overcomes the tendency of a normal open differential to send all torque to one wheel with low grip, creating wheel spin. The Limited Slip Differential effectively locks the two rear wheels together and delivers power to each. The result is maximum acceleration, in both straightline driving as well as in cornering.

Information Provided by:

ADAPTIVE LIGHT SYSTEM.

The Maserati GranTurismo MC features self-leveling Bi-Xenon gas discharge headlights for the brightest illumination. The Bi-Xenon headlights are enhanced further by the new Adaptive Light Control system, a mechanism that makes the headlights turn in the direction of the car when driving around curves improving illumination of the road and surrounding areas to optimize the driver's view of the road ahead.

HYDRAULIC BRAKE ASSIST (HBA).

The Maserati Hydraulic Brake Assist system recognizes panic situations by analyzing a combination of parameters such as the power brake pressure gradient, the wheel speed and illumination of the third stop light. The system monitors these parameters and takes over from the driver in activating the brake system at full power to ensure that full braking force is used under these conditions.

ELECTRIC PARKING BRAKE (EPB).

EPB is available on all Maserati cars, and is engaged by simply pressing an electrical button on the central tunnel which takes the place of the conventional mechanical lever. If necessary, it can also be used when the car is moving: the system, communicating with the stability control (MSP), acts on all four wheels, to provide rapid braking (deceleration 0.5 g), in case of emergency situations.

PASSIVE SAFETY.

The load-bearing body structure helps enhance the safety of the new Maserati GranTurismo MC; furthermore, the application of the latest design technologies makes it possible to optimize the weight balance and performance. The structural part of the body is made of steel, the hood and front strut of the bumper are made of aluminum, while the trunk lid, made using Sheet Molding Compound technology, helps keep the weight of the car down.

The six airbag system on the Maserati GranTurismo MC has four individual sensors in the front and sides of the car and on a control unit located near the center console. The Maserati GranTurismo MC uses a new generation of dual stage airbags for the driver and front passenger. The latter is protected by airbags which adapt to the passenger's size and stature.

Both the front and rear seat belts have electronically-controlled pretensioners and load limiters of the most modern type. The front and rear safety belts are electronically controlled and equipped with pyrotechnic pretensioners and load limiters. The system communicates with a sensor which evaluates the severity of a collision and, depending on its calculations, optimally inflates the airbags; it also takes into account the status (fastened/unfastened) of the seat belts.

Finally, an inertial switch is designed to stop the fuel pumps and help prevent fire breaking out in case of violent collision.



Information Provided by:

DEALER
E-PROCESS



Information Provided by





Maserati

GT 450 MC

A CUSTOM-MADE MASTERPIECE.

The unmistakable style of Maserati's latest creation is made even more exclusive and personal with a range of details, colors, materials and optional features which can be combined to make a Maserati unique: extreme sports or elegance and style, every GranTurismo MC expresses the personality of its owner.





BODYWORK.

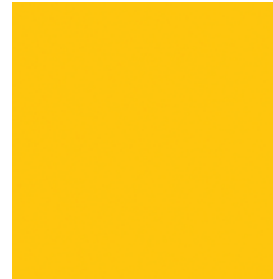
PAINT COLORS



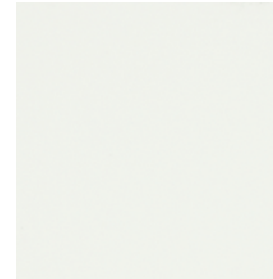
Bianco Eldorado



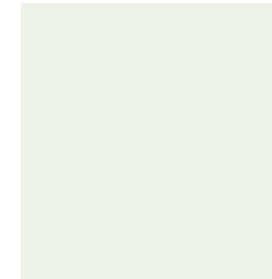
Grigio Touring



Giallo Granturismo



Bianco Fuji



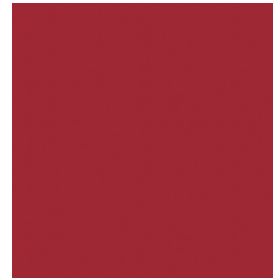
Bianco Fuji



Nero



Nero Carbonio



Rosso Mondiale



Grigio Granito



Grigio Granito



Blu Mediterraneo



Blu Mediterraneo

SPECIAL PAINT

MATT COLORS

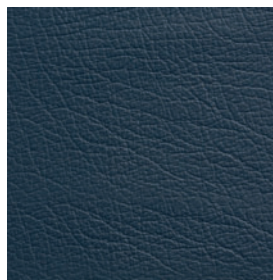
*More options available. Please ask your nearest Authorized Maserati dealer or visit maserati.us

INTERIOR.

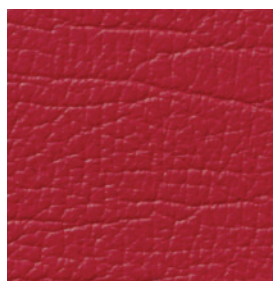
LEATHER COLORS



Nero



Blu Profondità

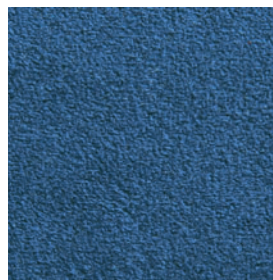


Rosso Corallo

ALCANTARA® COLORS

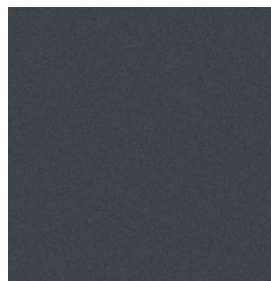


Nero

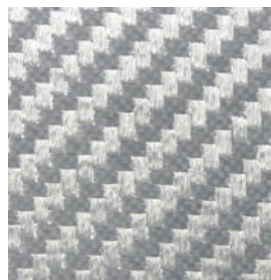


Blu Trofeo

INTERIOR FINISHES



Nero Soft



AluTex



Carbon Fiber



TitanTex

*More options available. Please ask your nearest Authorized Maserati dealer or visit maserati.us

WHEELS AND BRAKES.



Brake calipers, painted Titanio Alloy wheels, 20" MC-Design Grafite Opaco (8,5J x 20" front; 10,5J x 20" rear)



Brake calipers, painted Rosso Alloy wheels, 20" MC-Design Grafite Opaco (8,5J x 20" front; 10,5J x 20" rear)



Brake calipers, painted Nero Alloy wheels, 20" MC-Design Grafite Opaco (8,5J x 20" front; 10,5J x 20" rear)



Brake calipers, painted Giallo Alloy wheels, 20" MC-Design Grafite Opaco (8,5J x 20" front; 10,5J x 20" rear)



Brake calipers - painted Titanio Alloy wheels - 20" MC-Design Titanio Lucido (8,5J x 20" front; 10,5J x 20" rear)



Brake calipers, painted Rosso Alloy wheels, 20" MC-Design Titanio Lucido (8,5J x 20" front; 10,5J x 20" rear)



Brake calipers, painted Nero Alloy wheels, 20" MC-Design Titanio Lucido (8,5J x 20" front; 10,5J x 20" rear)



Brake calipers, painted Giallo Alloy wheels, 20" MC-Design Titanio Lucido (8,5J x 20" front; 10,5J x 20" rear)



Brake calipers, painted Titanio Alloy wheels, 20" Neptune Nero Lucido (8,5J x 20" front; 10,5J x 20" rear)



Brake calipers, painted Rosso Alloy wheels, 20" Neptune Nero Lucido (8,5J x 20" front; 10,5J x 20" rear)



Brake calipers, painted Nero Alloy wheels, 20" Neptune Nero Lucido (8,5J x 20" front; 10,5J x 20" rear)



Brake calipers, painted Giallo Alloy wheels, 20" Neptune Nero Lucido (8,5J x 20" front; 10,5J x 20" rear)

*More options available. Please ask your nearest Authorized Maserati dealer or visit maserati.us

STANDARD EQUIPMENT.

20-inch MC-Design wheels—shiny Titanium finishing (8.5J x 20" front/10.5J x 20" rear)

Specific high performance tires

Brake calipers painted Red

Single-rate coil spring/damper set up (Skyhook adaptive suspension system available as option)

Double wishbone single damping suspension with stiffer set-up

Shadow line (door handles in body COLOR and window mouldings in black)

Dual powered/heated exterior mirrors

Sport exhaust—central positioned dual tail pipes, in chrome plated stainless steel, pneumatic valves controlled via "SPORT" button

Front grille with vertical grille bars in black COLOR, trident with red accents; lateral port hole grilles

Front spoiler integrated with aerodynamic undertray and brake system cooling air ducts

Front hood with dual lateral air outlets

Lightweight trunk lid construction, with remote key unlocking

Additional lip spoiler on deck lid

Headlights—Black background, headlamps with black surrounds

Tail lamps with LED technology

Folding front armrest with illuminated storage compartment

Nero Soft interior trim

Maserati "Active Shifting" shift paddles (Trofeo Design)

Aluminum sport pedals

Maserati clock design in central dashboard with chrome-plated trim

Fabric headliner

Three-spoke multifunction sport steering wheel

Trident logo stitched on head restraints

Two individual front full size cup holders

Poltrona Frau leather/Alcantara® upholstery (including Alcantara®/black leather steering wheel)

Alarm system (perimeter and volumetric sensing, anti-lift device, electronic immobilizer)

Cruise control

Dual zone automatic climate control

Electric opening assist for trunk lid and doors

Electronic Parking Brake (EPB)

Rear parking sensors

Maserati Hi-fi sound system

Maserati Multimedia System with 7-inch dashboard screen (navigation system, RDS tuner, single CD player, 30 GB hard disc drive, voice control, bluetooth, USB and iPod connectivity)

Power-assisted steering, with speed sensitive feature

Rain sensor

MC-design sport instrument cluster

Digital RPM indicator

"SPORT" button for sport mode set up (manual gearshift, accelerator, MSP system, exhaust system, instrument display).

Tire sealing compound and electric air compressor

Airbag system (front bags and window bags)

Bi-Xenon headlamps with automatic activation

Front seat belts with pretensioners

Maserati Stability Program (MSP)

Adaptive light control system

Steering wheel with manual height and reach adjustments

Automatically dimming rearview interior mirror



Information Provided by:

DEALER
E-PROCESS

MC SPORT LINE ACCESSORIES

Aerodynamic package in carbon fiber (rear lip spoiler in carbon fiber, side mirrors in carbon fiber, doors handles in carbon finish)

Interior carbon package (carbon finish on dash and door panels trim strips, upper door trim strip in carbon fiber)

Interior carbon package—evolution I (door entry guards in carbon fiber with “MC Stradale” logo, centre console in carbon fiber)

Interior carbon package—evolution II (paddles shift in carbon fibre, instrument surround in carbon fiber)

Electro-actuated switch controls in carbon fiber

Steering wheel in carbon finish and black leather

MC-Design Aluminum driving pedals (incl. dead pedal)

20-inch Glossy Black Neptune Design alloy wheel

(8,5J x 20” front/10,5J x 20” rear)

MAINTENANCE

First service at 12,500 miles or after two years of the vehicle’s life and subsequently every 25,000 miles. Refer to owner’s manual for full scheduled maintenance.

WARRANTY

Transferable four year/50,000 mile new car limited warranty with 24/7 Roadside Assistance. Ask your local Authorized Maserati dealer for more details.

*For a full list of available options and accessories please contact your closest Authorized Maserati dealer

TECHNICAL SPECIFICATIONS.

DIMENSIONS AND WEIGHTS

Length	194.2 in (4,933 mm)
Width	75.4 in (1,915 mm)
Height	52.9 in (1,343 mm)
Wheelbase	115.8 in (2,942 mm)
Front track	62.4 in (1,586 mm)
Rear track	62.6 in (1,590 mm)
Front overhang	36.4 in (925 mm)
Rear overhang	42 in (1,066 mm)
Boot capacity	9.2 cu-ft (260 l)
Fuel tank capacity	22.7 gal (86 l)
Curb weight	4,145 lb (1,770 kg)

TIRES

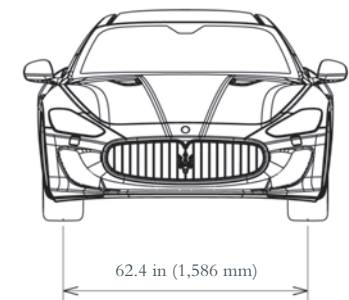
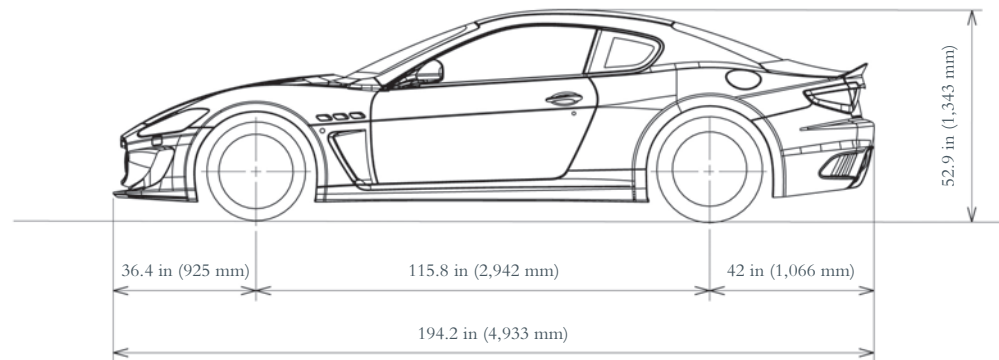
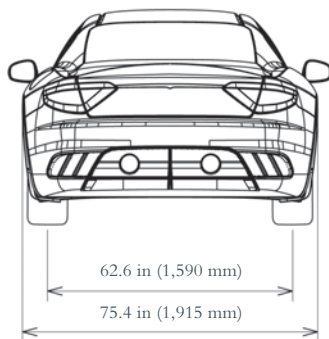
Front	255/35 ZR 20
Rear	295/35 ZR 20

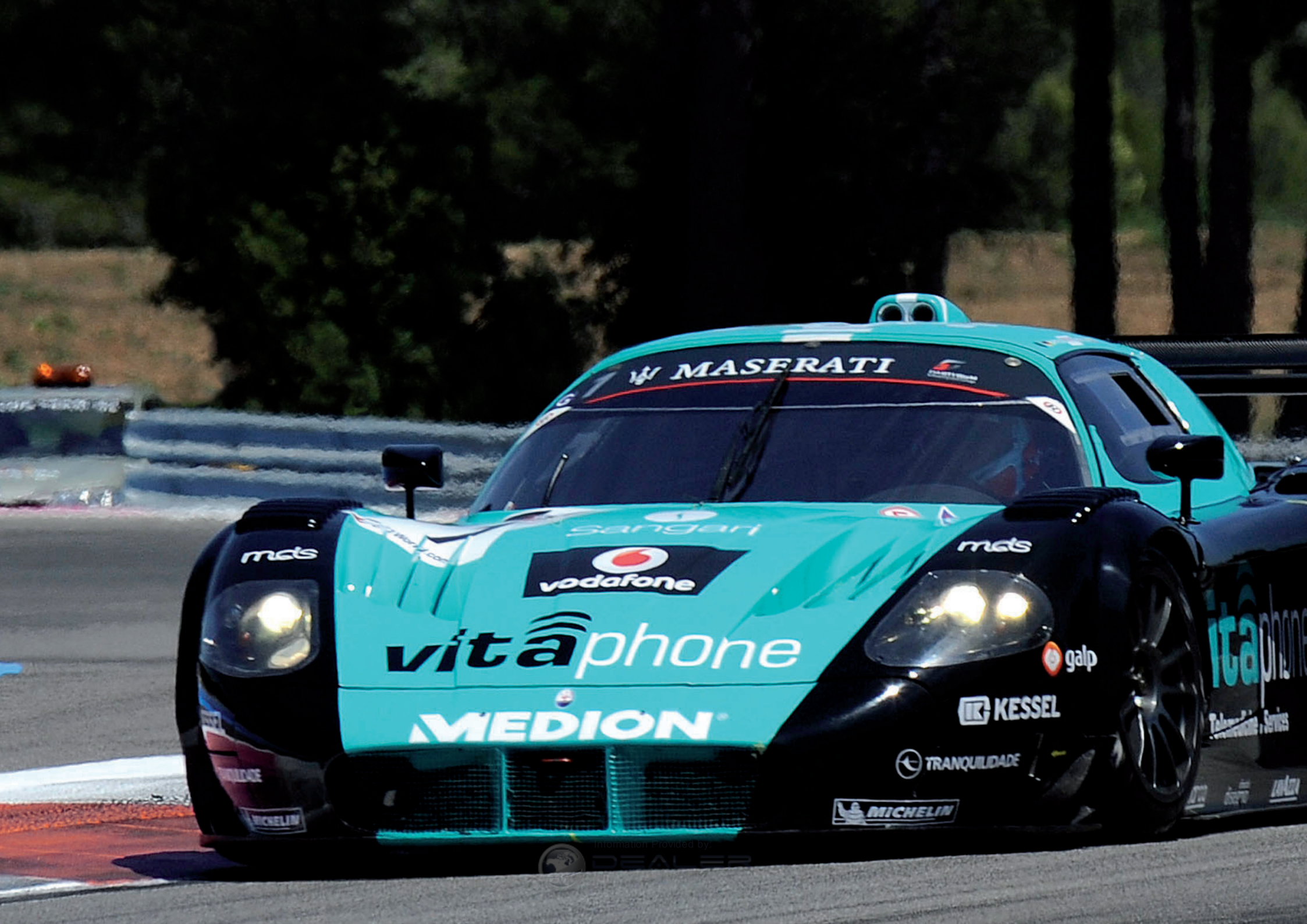
ENGINE

Displacement	V8 4.7 L (4,691 cc)
Bore	3.7 in (94 mm)
Stroke	3.33 in (84.5 mm)
Compression ratio	1:11
Maximum power output	444 hp (330 kW) at 7,000 rpm
Peak torque	376 lb-ft (510 Nm) at 4,750 rpm

PERFORMANCE

Maximum speed	187 mph (301 km/h)
0-60 mph (0-100 km/h) acceleration	4.8 s (4.85 s)





MASERATI

mcs

Sangari

vodafone

mcs

vitaphone

MEDION

galp

KESSEL

TRANQUILIDADE

MICHELIN

vitaphone
Telecomunicacões e Serviços

Information Provided by

DEALER



THE WORLD OF MASERATI.

A world of competition, passion and services dedicated to those who love Maserati.





MASTER MASERATI DRIVING COURSES.

A unique opportunity that allows clients and potential customers to experience the thrill of being behind the wheel of Maserati models with the support of a highly professional staff and the latest equipment. The Master Maserati Driving Courses are a terrific way to experience the race track under a professional guidance. The courses are designed to teach how to properly handle a Maserati while still pushing and

controlling this powerful sports car to its limit. The courses take place at the Varano de' Melegari Circuit, located near Parma, Italy (a few miles from the Maserati Headquarters), a circuit that puts technical skills to the test and is also equipped with special driving instruction features, under the technical direction of the former F1 driver Ivan Capelli and the constant supervision of a team of professional drivers.



MASTER GT. A two-day all-inclusive package spent behind the wheel of the various Maserati models. A thrilling, intensive training course that introduces participants to a sequence of exciting dynamic driving. It includes driving sessions on the circuit with a variety of courses (apex technique with instructor in the car, acquisition and analysis of telemetry data, driving with pace-car) and practice controlling the car in different simulated road surface conditions (for example, quick direction changes, controlled skid and braking techniques).

MASTER HIGH PERFORMANCE. An intensive one-day course, the Master High Performance program takes the racing-driving techniques studied in the Master GT course to their highest level. The course, designed to provide an extremely professional service and cover the latest techniques, allows participants to test-drive high performance Maserati on the track through a highly specialized and personalized program combining driver's satisfaction and technique.

MASTER MC TROFEO. The Master Maserati MC Trofeo is the ultimate expression of the sports driving concepts developed in the Master High Performance program. This course represents an unforgettable and thrilling experience with a highly professional team of instructors and gives you the chance to be part of the Maserati competition world and drive the cars competing in Europe in the Maserati Trofeo Championship.

For more information and registration, please contact your nearest authorized Maserati Dealer or Master Maserati Office at Tel: +39 0525 55 11 38, Fax: +39 0525 55 11 40, Mail: info@mastergt.it



Information Provided by:





CAREFULLY BUILT AND METICULOUSLY TESTED.

Each Maserati is built in the historic Maserati factory complex in Viale Ciro Menotti in Modena, Italy. Over the last several years the factory has been completely updated to help ensure the highest production standards and is now amongst the most advanced small series

production facilities in the world, combining traditional hand-crafting techniques with cutting edge technology. Each new Maserati, after being thoroughly examined and tested in the engine running-in and diagnostic area where its torque and power output are verified, is put through its paces by our professional test-drivers.

FACTORY DELIVERY.

You've chosen your Maserati, its color scheme and its accessories. Now, at last, it's time to take delivery of your car. The thrill of getting the keys of a Maserati GranTurismo MC that has been tailored specifically to suit your own personal style is hard to match. And now you can experience that very special moment at the Maserati factory itself. Direct personal delivery at the Maserati factory will also include a tour of the production line where you will see first-hand just how Maserati are built. For further details and to book your personal delivery, please contact your nearest authorized Maserati dealer.

FOUR-YEAR LIMITED WARRANTY AND ROADSIDE ASSISTANCE.

Confident in its high performance automobiles, Maserati North America covers them with a transferable four-year/50,000 mile new car limited warranty. Because daily use includes the risk of road hazards, Maserati North America includes Maserati Roadside Assistance on all new Maserati vehicles sold in the USA and Canada throughout the new car limited warranty period.

Available 24/7 toll-free at +1 888 371 1802, the program provides transport to the nearest authorized Maserati dealership if the car cannot be made road worthy by the responding technician. If overnight warranty repairs are necessary, limited rental reimbursement and travel assistance may also be provided through the program. Ask your local authorized Maserati dealer for more details.



MASERATI CERTIFIED PRE-OWNED

CERTIFIED PRE-OWNED EXTENDED SERVICE COVERAGE.

Maserati Certified Pre-Owned Warranty coverage provides an additional two years or 50,000 miles to any balance of existing New-Car Warranty coverage that remains, for a total of six years or 100,000 miles. In addition, each Certified Pre-Owned Maserati is covered with Maserati Roadside Assistance and your Maserati Certified Pre-Owned Warranty can be transferred to subsequent owners, representing added value to your purchase. All 2007 model year and newer vehicles originally imported by Maserati North America, Inc., serviced in accordance with Maserati factory guidelines and conforming to Maserati North America, Inc. and Maserati SpA enrollment and inspection qualifications are eligible to participate in the Certified Pre-Owned program. Every Certified Pre-Owned Maserati must pass an exhaustive test regimen performed exclusively by factory-trained technicians. For complete details of the terms and conditions, and eligible models, consult your nearest Authorized Maserati dealer.



Information Provided by:

DEALER
E-PROCESS



MASERATI WEB SITE AND CAR CONFIGURATOR.

To discover all the ways in which the Maserati GranTurismo MC can be personalized, we have created an innovative and unique car configurator. It has been developed to bring your Maserati GranTurismo MC to life by giving you the chance to personalize many of the vehicle's features. The system has been enhanced with "X-ray" software to

make the experience all the more enjoyable and to see inside the car and appreciate all its interior technological elements. Create your own Maserati at configurator.maserati.com or to browse the entire Maserati range, the services on offer, or simply to see how the company's heritage blends perfectly with modern day performance, visit maserati.us

FACTORY TOUR.

Discover how the Maserati cars are born, learn the secrets to their craftsmanship, fully understand their engineering and really become part of the Maserati family. The tour is by appointment only and reservations can be made at any Maserati dealership.

THE MASERATI EXPERIENCE.

For those who truly wish to discover Modena, its culture, history and cuisine. The Maserati Experience program introduces you first hand to the Maserati World: Modena, with its works of art, its history and its fine cuisine. You can tailor your Maserati Experience to your personal taste by combining a variety of activities:

- Panini Museum and/or Stanguellini Car Museum visit;
 - Guided tour of the town;
 - Guided tour of a traditional balsamic vinegar establishment, with tasting;
 - Guided tour of a winery, with tasting of local wines;
 - Cooking school;
 - Day at the “Modena Golf & Country Club;”
- ...and much, much more.

For more information please contact us by writing to:

maseratiexperience@maserati.com or drivemaserati@maseratiusa.com



Information Provided by:

DEALER
E-PROCESS



THE MASERATI COLLECTION.

Now you can reflect your car's timeless style and elegance with a completely updated collection of clothing and accessories. The Maserati Collection, conceived and produced in line with the Maserati philosophy of excellence and fine design is available from all official Maserati Dealers to the Maserati Store at the Maserati Headquarters in Modena and online at maseratistore.com

GENUINE MASERATI ACCESSORIES.

Especially designed to fulfill widely different needs, Genuine Maserati accessories represent the perfect combination of design, functionality and quality, a characteristic that has always defined our brand. The range of genuine accessories includes items designed to enhance the elegant and sporty appeal of Maserati models. Exterior variations include spoilers, front grills and colored brake calipers; interior finishing, such as branded carpet mat sets and under-door moldings; components linked to dynamic performance with a wide choice of alloy rims and handling kits. Other genuine accessories include car care cleaning kits, car covers, battery chargers as well as a full line of "MC Sport Line" exterior and interior accessories crafted from race inspired materials, carbon fiber and aluminum, emphasizing Maserati's sporting heritage.

Information Provided by:



MASERATI CLUB.

The owners of Maserati cars from every era can fully enjoy the pleasure of owning and driving a Trident sports car by taking part in a calendar of events exclusively for Maserati Club members. The Maserati Club provides the link between the past, present and future of the Modena constructor. The association is led by personalities who have made a

fundamental contribution to the growth and promotion of Maserati in all eras, starting from the President, Maria Teresa de Filippis, the first woman F1 driver and today a proud supporter of the Trident. Becoming a Maserati Club member is simple, just like the joy of sharing a deep passion for Maserati cars.

For more information, access www.maseraticlub.com



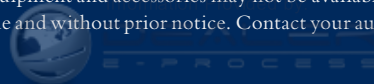


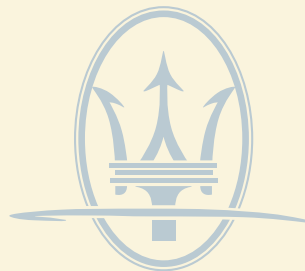
Information Provided by:

DEALER
e.com

GranTurismo **TTC**

©2011 Maserati North America. All rights reserved. The illustrations and texts contained in this brochure are based on the information available at the time of printing and do not contain a description of specific characteristics of the car by the Manufacturer. Some models, equipment and accessories may not be available or may only become available after the car's launch on the market. Maserati reserves the right to modify colors, designs and technical features at any time and without prior notice. Contact your authorized Maserati Dealer for further details.





WWW.MASERATI.US

MASERATI NORTH AMERICA, INC. · 250 SYLVAN AVENUE · ENGLEWOOD CLIFFS, NJ 07632

1-877-MY MASERATI · DRIVEMASERATI@MASERATIUSA.COM

