

2012 **GTI**



Das Auto.





GTI with Sunroof and Navigation shown in Deep Black Metallic with 18" Black Karthoum wheels

Better engineering for you.

German engineering isn't just about creating a faster car. Or a tighter ride. Or even the most fuel-efficient engine. We're not merely designing the sleekest silhouette. Or the roomiest cargo space. Or the most breathtaking sunroof. And even though we place safety at the top of our list, we're not in this solely to get recognition for our success. Or to break records. Or to add extra safety features just to be safe. At Volkswagen, we're about all of these things happening together, beautifully and precisely, to create a car that's actually fun to drive. Because we're not just making any car, we're making your car. That's the power of German engineering.

The GTI

Careful, it's hot.

You'd think a car this great would speak for itself. And it does, in a way. The rumble of the turbocharged engine. The wink of the shiny red brake calipers. The hug of the iconic Interlagos plaid seats. If that's not enough to catch your attention, we thought we'd share what a few reputable sources had to say too. *AUTOMOBILE Magazine* named the GTI one of its "2011 All-Stars" as a follow-up to last year's "Automobile of the Year" award. *Car and Driver* put the GTI on its "10Best List for 2011." And the Insurance Institute for Highway Safety (IIHS) named the 4-door GTI a Top Safety Pick for 2011.* But even if all the awards went away and the GTI had nothing but its sporty engine and sleek good looks to rely on, we wouldn't mind. Because fans have been coming back for more ever since the GTI hit American roads. As they say, word travels fast.



When you buy any new VW you get three years or 36,000 miles of no-charge scheduled Carefree Maintenance.** That's right, no extra charge. If you'd like, stop by in the first 90 days, or 6,000 miles, for your courtesy vehicle check. Then come by every year, or 10,000 miles, for your remaining scheduled maintenance checks. If only everything in life could be this carefree.

Top Safety Pick based on 31 mph side-impact crash test, 40 mph frontal-offset crash test, 20 mph rear-impact test, roof strength testing, and the availability of ESC. Test performed by the Insurance Institute for Highway Safety. For details, visit iihs.org. See vw.com for more information on safety features.***The Volkswagen Carefree Maintenance Program covers the vehicle's scheduled maintenance for three years or 36,000 miles, whichever comes first. Coverage during the term of the new vehicle limited warranty at no additional charge. Some limitations apply. See dealer or vehicle maintenance program booklet for details.





Performance

Have your cake. And drive it too.

When you climb behind the wheel of the GTI, you might not believe your luck. Because not only does the GTI look good, but its 200-hp turbocharged engine with 207 lbs/ft of torque, paired with either six-speed manual transmission or six-speed automatic DSG transmission with Tiptronic® and Sport mode, is designed for speed. Both options come equipped with a sport-tuned suspension, and the DSG transmission transfers power between two mechanically actuated clutches, providing seamless acceleration and imperceptibly fast gear changes. So if you were looking for a car that's almost too good to be true, you found it. Choosing a color is just icing on the cake.

TSI engine. The 2.0L TSI® engine has some serious torque per cylinder. Which means it's tuned to have a broad, flat torque curve with a nice, wide power band. If you're not sure what that means, step on the gas when the light turns green.** That'll tell you all you need to know.

6-speed manual transmission

DSG® performance automatic transmission*

4-corner independent sport suspension



*Feature available on select models. **Always obey local speed and traffic laws.



Technology

Dynaudio® premium sound system*

Bluetooth® technology

Keyless access with push-button start*

Exhilaration at your command.

If it looks this good and handles this well, it seems only fair to blast a killer soundtrack as you drive. Give your GTI the available touchscreen sound system and MDI with iPod® cable so you can easily navigate your playlists, albums, and songs. And feel free to answer calls wirelessly using the Bluetooth with voice command, phone book download, and music streaming capabilities. It just wouldn't be fair otherwise. To you or your GTI.



Touchscreen navigation. If you opt for the touchscreen navigation system, you'll always be able to find your way to wherever you're going and back home again. Just in case you want to get lost in the music, or the world, for a little while.

SiriusXM Satellite Radio. Both the touchscreen stereo and navigation options come with a three-month trial subscription to the Sirius Select package with over 130 channels of commercial-free music, plus sports, news, talk, and entertainment.

*Feature available on select models.



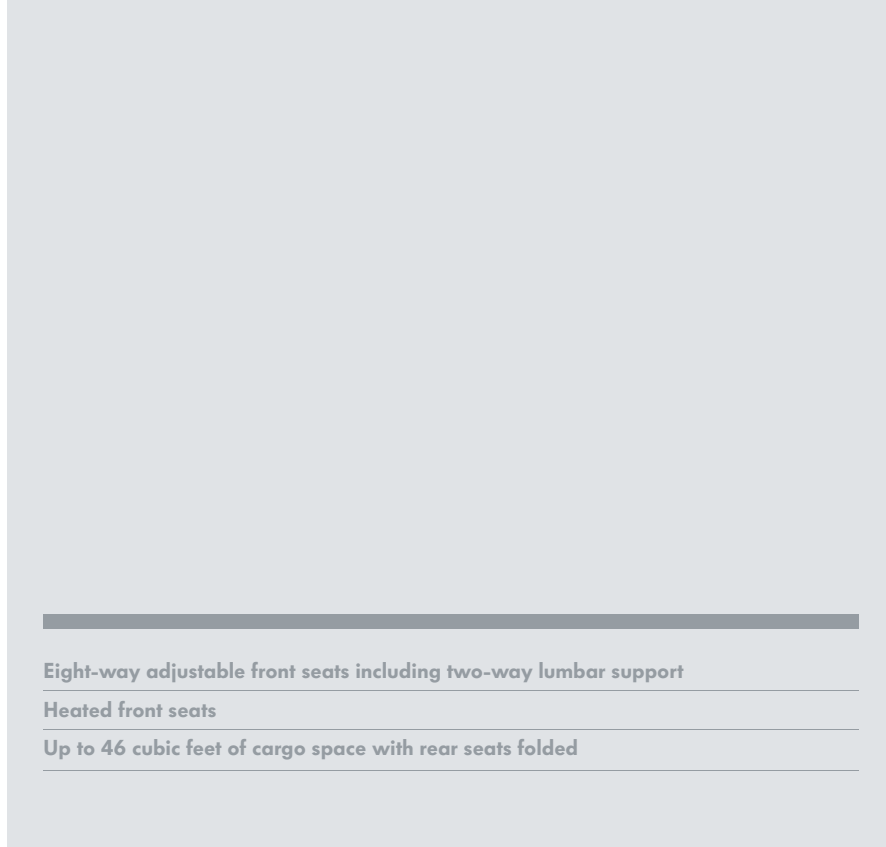
Comfort

Iconic on the inside too.

Picture, if you will, the famous Interlagos plaid. Or the available Titan Black leather top sport seats, if you want to update the classic. Now imagine the gentle hug from the bolstered 8-way sport seats as you accelerate. And the hum when the turbo kicks in. Tempted yet?

Leather-wrapped sport steering wheel. White and red interior lighting that lights up when the sun goes down. Available power glass sunroof that moonlights as a moonroof. Those are just a few of the perks of being a GTI owner.

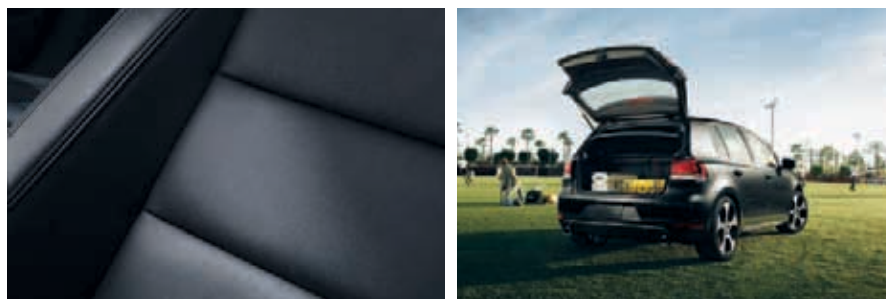
This little sports car has a secret. Not only does it fit four full-sized adults in its comfy bucket seats, but it also makes room for all the other stuff in your life. Just open the hatch and behold the cargo space.



Eight-way adjustable front seats including two-way lumbar support

Heated front seats

Up to 46 cubic feet of cargo space with rear seats folded



GTI shown in Interlagos cloth



GTI shown in Candy White

Bi-Xenon™ headlights with LED Daytime Running Lights (DRL)*

Hidden hatch handle under rear badge

Red accent lighting on dash and multi-function steering wheel*



For enthusiasts, by enthusiasts.

There are two kinds of people: GTI fans and soon-to-be GTI fans. GTI fans love the front honeycomb grille that lets the air flow through to cool the front brakes. Soon-to-be GTI fans are just noticing how nice it looks. Fans around the world have always loved the bright red brake calipers that peek through the signature 18-inch Detroit alloy wheels. And the dual exhaust tips that complement the rear of every GTI. So whether you're already a fan or itching to become one, everyone agrees that the GTI is one hot hatch. From top to bottom, front to back. Hot.

When we designed the GTI, we paid meticulous attention to every detail. Down to the red stitching on the gearshift and steering wheel. And the racy red lines on the front grille. Not to mention the aluminum alloy race-inspired pedals. They're all subtle yet elegant reminders that you're driving a true sports car.

*Feature available on select models.

Safety

Big on fun. Huge on safety.

When you buy a Volkswagen GTI, you're driving home more than just a car. You're taking home total peace of mind. That's because every Volkswagen is built to the highest standards. Volkswagen standards.

Active safety. Active safety features are the things that help prevent a collision, such as headlights, turn signals, mirrors, brakes, steering, and traction control elements like ABS and ESC. They may sound basic, but those elements can help save your life.

Passive safety. Passive safety features are what help protect you during an accident, such as safety belts, airbags*, steel-reinforced seating, a safety cage, and crumple zones. You know that German engineering you love under the hood? Well, it's actually throughout the entire car.

*This is an illustration and does not depict what will happen in a crash. All airbags will not inflate in real-world crashes, and if multiple airbags do deploy, they will be in various stages of inflating/deflating and will never all be inflated at the same time. Airbags are supplemental restraints only and will not deploy under all crash circumstances. Always use safety belts and seat children only in the rear, using restraint systems appropriate for their size and age. **The Intelligent Crash Response System (ICRS) will only activate in a collision where the airbags deploy or safety belt pretensioners activate. Not all collisions cause airbags to deploy or safety belt pretensioners to activate.

Highlights

ESC

Electronic Stability Control

ESC helps prevent oversteer or understeer during an evasive maneuver by applying corrective forces to each of the wheels. In other words, it helps you maintain control.



6 standard airbags*



Active

Anti-Slip Regulation (ASR)

ASR helps prevent the wheels on your GTI from spinning when you accelerate by denying engine power in situations when it senses wheel slippage.

Cross Differential System (XDS®)

When you take a corner, XDS helps anticipate inside wheel spin and actively directs the power to the outside wheel. Which means it helps apply corrective force before wheel slippage occurs.

Anti-lock Braking System (ABS)

ABS actually serves two purposes. Not only does it help keep the brakes from locking up during sudden stops, it also helps you retain control over the steering in the event of emergency braking.

Hydraulic Brake Assist (HBA)

HBA helps ensure that you get the maximum power from the brake system. How? It judges the suddenness of the braking and applies extra pressure when you need it most.



GTI with Sunroof and Navigation shown in Candy White

Passive

Safety cage

Beneath all that sheet metal, every GTI has a specially reinforced safety cage complete with anti-intrusion side beams and heat-formed B-pillars, designed to help protect you in the event of a collision.

Crumple zones

Surrounding the safety cage are crumple zones that provide space and material to help cushion and absorb the impact while the safety cage insulates you.

Crash-optimized front end

Integrated into the front of your GTI are impact-absorbing elements that allow for compression during a collision. That helps minimize the energy that reaches you.

Intelligent Crash Response System (ICRS)

After the airbags* have been deployed in a collision, the ICRS** automatically unlocks all doors, disables the fuel pump, and turns on the hazard lights. That's why we call it intelligent.

Trims

GTI

Includes: 2.0L, 200-hp TSI® engine; 6-speed manual transmission; 18" Detroit alloy wheels with all-season performance tires; 4-corner independent sport suspension; Cross Differential System (XDS®); Climatic manual climate control; Interlagos cloth sport seats; leather-wrapped steering wheel, shift knob and brake handle; Bluetooth® technology; 8-speaker sound system with MP3- and WMA-compatible in-dash CD player, AM/FM radio, AUX-in for portable audio players, SiriusXM Satellite Radio with 3-month trial subscription; adjustable center armrest with integrated storage box; multi-function trip computer with Highline combi-instrument display; heated front seats, side mirrors and washer nozzles; 2 power outlets (1 front, 1 trunk); Electronic Stability Control (ESC); Anti-lock Braking System (ABS) with front and rear disc brakes; Anti-Slip Regulation (ASR); Tire Pressure Monitoring System (TPMS).

GTI with Sunroof

Includes GTI features, plus: touchscreen Premium VIII sound system with 8 speakers, built-in MP3- and WMA-compatible 6-disc CD changer and SD memory card reader; leather-wrapped multi-function steering wheel; power tilting/sliding sunroof.

GTI with Sunroof and Navigation

Includes GTI with Sunroof features, plus: RNS 315 navigation system with 5" color touchscreen in center console; Bi-Xenon™ high-intensity headlights with LED Daytime Running Lights (DRL) and Adaptive Front-lighting System (AFS).

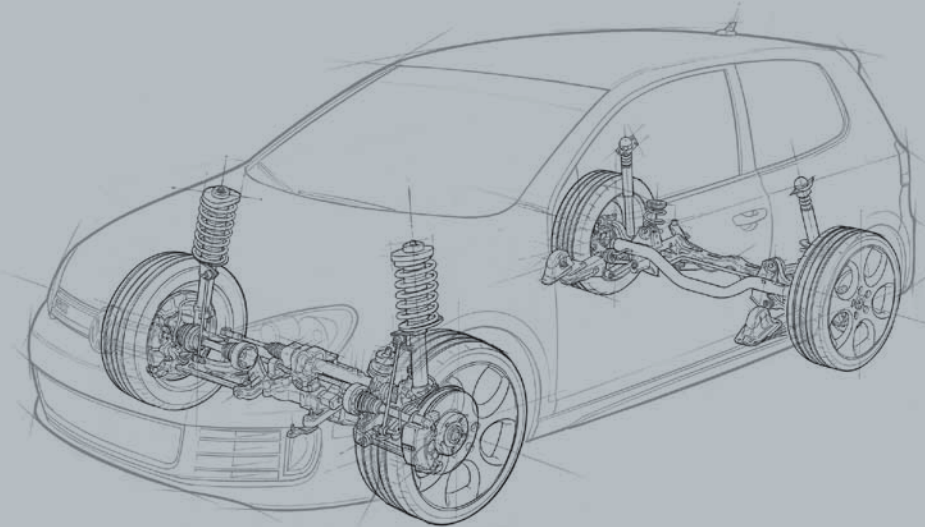
GTI Autobahn

Includes GTI with Sunroof and Navigation features, plus: 18" Serron alloy wheels; leather top sport seats; Dynaudio® premium sound system; keyless access with push-button start.

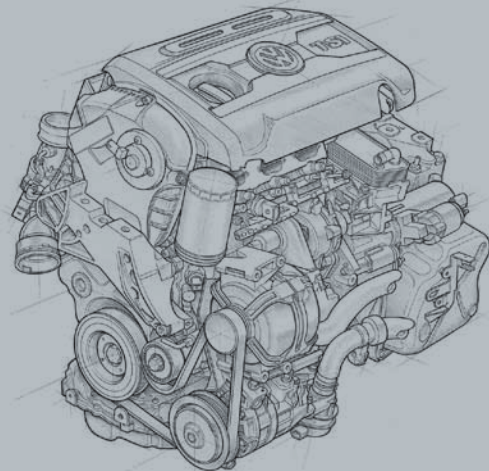
Options

6-speed DSG® automatic performance transmission with Sport mode and Launch Control program.

4-wheel independent suspension



2.0L TSI engine



Specifications

- Standard, at no additional cost
- Optional, additional cost
- Not Available

Performance	GTI	GTI w/ SR	GTI w/ SR & Nav	GTI Autobahn
2.0L TSI, 16-valve, DOHC, in-line 4-cylinder turbocharged engine with intercooler and FSI® direct fuel injection; 200 hp, 207 lbs/ft of torque	●	●	●	●
Red brake calipers on front vented disc brakes (312 mm) and rear solid disc brakes (286 mm)	●	●	●	●
Electromechanical power steering system with variable assistance and active return	●	●	●	●
Sport suspension with independent front MacPherson struts and rear fully independent 4-link suspension	●	●	●	●
6-speed manual transmission	○	○	○	○
6-speed DSG automatic transmission with Tiptronic® and Sport mode	○	○	○	○
Launch Control program (for DSG transmission)	○	○	○	○

Technology	GTI	GTI w/ SR	GTI w/ SR & Nav	GTI Autobahn
8-speaker sound system with MP3- and WMA-compatible, in-dash CD player, and AM/FM radio	●	–	–	–
Touchscreen Premium VIII sound system with HD Radio™ MP3- and WMA-compatible in-dash 6-disc CD changer, SD memory card reader and 8 speakers	–	●	–	–
RNS 315 navigation system with 5" color touchscreen in center console and SD memory card reader	–	–	●	●
SiriusXM Satellite Radio with 3-month trial subscription	●	●	●	●
Bluetooth technology	●	●	●	●
Media Device Interface (MDI) with iPod® cable	●	●	●	●
Keyless access with push-button start	–	–	–	●

Comfort	GTI	GTI w/ SR	GTI w/ SR & Nav	GTI Autobahn
Climatic manual single-zone climate control with pollen filter	●	●	●	●
Anti-theft alarm system for doors, hood, trunk and radio with audible and visual activation	●	●	●	●
Immobilizer III theft-deterrent system	●	●	●	●
Cruise control	●	●	●	●
Speedometer, tachometer, odometer, trip odometer, fuel gauge, coolant temperature, clock, outside temperature	●	●	●	●
Multi-function trip computer with compass, trip time, trip length, average trip speed, average trip fuel consumption, current fuel consumption, miles to empty, radio station display, personalizing function	●	●	●	●
2 radio-frequency remote transmitter key fobs with lock, unlock, rear trunk release, panic button for central locking, and selectable access valet key feature	●	●	●	●
2 12V power outlets, 1 in front center console and 1 in trunk	●	●	●	●
Driver and passenger visor vanity mirrors, illuminated and with covers	●	●	●	●
Brushed aluminum appearance footrest and pedal covers	●	●	●	●
8-way manually adjustable sport seats, heated	●	●	●	–
8-way manually adjustable top sport seats, heated	–	–	–	●
60/40-split folding rear seat with center armrest and pass-through	●	●	●	●
1-touch lane change signal feature	●	●	●	●
Leather-wrapped sport steering wheel, height-adjustable with telescopic steering column	●	–	–	–
Leather-wrapped, multi-function, sport steering wheel, height-adjustable with telescopic steering column	–	●	●	●
Steering wheel-mounted paddle shifters for DSG transmission	○	○	○	○
2 front, 2 rear cupholders	●	●	●	●
Lockable glovebox	●	●	●	●
Leather-wrapped shift knob and handbrake grip	●	●	●	●
Interlagos cloth seating surfaces	●	●	●	–
Leather seating surfaces	–	–	–	●
Rear passenger ventilation for heat and A/C in center console	●	●	●	●
Power windows with pinch protection; front windows with automatic 1-touch feature, operable from driver's side only	●	●	●	●

Design	GTI	GTI w/ SR	GTI w/ SR & Nav	GTI Autobahn
Fully galvanized sheet metal	●	●	●	●
Crash-optimized front end	●	●	●	●
Black front grille with honeycomb mesh and red surround strip	●	●	●	●
Halogen headlights with clear, lightweight, chip-resistant polycarbonate lenses and Daytime Running Lights (DRL)	●	●	–	–
Bi-Xenon high-intensity headlights with LED Daytime Running Lights (DRL) and Adaptive Front-lighting System (AFS)	–	–	●	●
Power-operated, heated side mirrors with integrated turn signals	●	●	●	●
Textured black sport side skirt	●	●	●	●
Power tilting/sliding tinted sunroof	–	●	●	●
Rear spoiler above rear hatch	●	●	●	●
Tire Pressure Monitoring System	●	●	●	●
18" alloy wheels with anti-theft wheel locks and all-season performance tires*	●	●	●	●
Heated windshield washer nozzles	●	●	●	●

Safety	GTI	GTI w/ SR	GTI w/ SR & Nav	GTI Autobahn
Automatic locking feature (doors lock when vehicle reaches 8 mph, unlock automatically upon airbag** deployment)	●	●	●	●
Child-safety rear door locks (4-door only)	●	●	●	●
Driver and passenger front and side thorax airbag supplemental restraint system**	●	●	●	●
Side Curtain Protection® airbags, front and rear**	●	●	●	●
3-point safety belts for all seating positions, includes safety belt pretensioners for driver, front passenger, and rear outboard seating positions	●	●	●	●
LATCH (Lower Anchors and Tethers for CHildren) child seat anchor points	●	●	●	●
Electronic Stability Control (ESC), Anti-Slip Regulation (ASR), Electronic Differential Lock (EDL), and Engine Braking Assist (EBA)	●	●	●	●
Anti-lock Braking System (ABS), Electronic Brake-pressure Distribution (EBD), and Hydraulic Brake Assist (HBA)	●	●	●	●
Intelligent Crash Response System (ICRS)	●	●	●	●
Cross Differential System (XDS)	●	●	●	●

Quality	GTI	GTI w/ SR	GTI w/ SR & Nav	GTI Autobahn
12-year/unlimited mileage Limited Warranty Against Corrosion Perforation	●	●	●	●
5-year/60,000-mile (whichever occurs first) Powertrain Limited Warranty	●	●	●	●
3-year/36,000-mile (whichever occurs first) New Vehicle Limited Warranty	●	●	●	●
3-year/36,000-mile (whichever occurs first) Roadside Assistance†	●	●	●	●
Volkswagen Carefree Maintenance Program††	●	●	●	●

Dimensions	
Wheelbase	101.5 inches (2,578 mm)
Cargo volume	15 cu. ft. (0.4 cu. m)
Length	165.8 inches (4,210 mm)
Width	70 inches (1,779 mm)
Height	57.8 inches (1,469 mm)
Passenger volume	93.5 cu. ft. (2.7 cu. m)

*Please refer to the disclaimer on the back cover for important information about performance tires. **Airbags are supplemental restraints only and will not deploy under all crash circumstances. Always use safety belts and seat children only in the rear, using restraint systems appropriate for their size and age. †Roadside Assistance provided by Signature Motor Club, Inc. and Signature Motor Club of California, Inc. ††The Volkswagen Carefree Maintenance Program covers the vehicle's scheduled maintenance for three years or 36,000 miles, whichever comes first. Coverage during the term of the new vehicle limited warranty at no additional charge. Some limitations apply. See dealer or vehicle maintenance program booklet for details.

Wheels

Accessories

Exterior

Interior

Standard

drivergear.vw.com



18" Detroit



MojoMat®



Splash Guards



Front Valance Diffuser



18" Serron



Heavy Duty Trunk Liner with CarGo Blocks



Base Carrier Bars with Kayak Holder Attachment



Base Carrier Bars with Snowboard/Ski Attachment



18" Topas



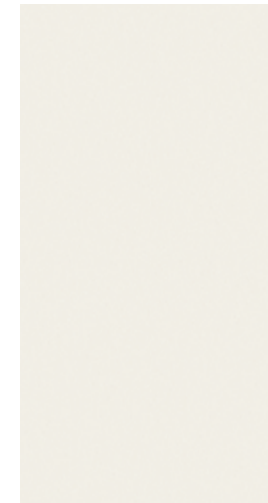
18" Black Karthoum



18" Motorsport

Paint

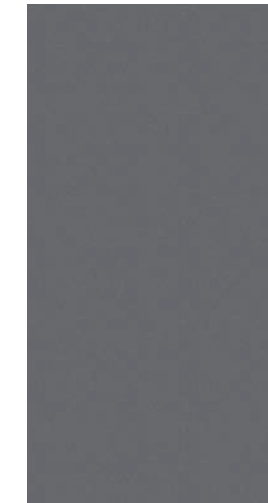
Leather



Candy White



Carbon Steel Gray Metallic



United Gray Metallic



Titan Black



Tornado Red



Shadow Blue Metallic



Deep Black Pearl Metallic

Cloth



Interlagos Plaid



That's Das Auto.

2012 Volkswagen Family

All-new Beetle



All-new Passat



Tiguan



Jetta



Eos



Golf



Touareg



CC



GTI



Jetta SportWagen



Routan



vw.com

©2011 Volkswagen of America, Inc. Printed in the U.S.A. Volkswagen of America, Inc., believes the specifications in this brochure to be correct at the time of printing. Specifications, standard equipment, options, fabrics and colors are subject to change without notice. Some features may be unavailable when your vehicle is built. Some vehicles are pictured with options that may be available at extra cost or may not be available on some models. Ask your dealer about availability of options and verify that the vehicle you ordered includes the equipment you ordered. Tires are supplied and warranted by their manufacturer. "Volkswagen," the Volkswagen logo, "Das Auto," "GTI," "TSI," "DSG," and "XDS" are registered trademarks of Volkswagen AG. "Carefree Maintenance," the Carefree Maintenance logo and "Side Curtain Protection" are registered trademarks of Volkswagen Group of America, Inc. "Tiptronic" is a registered trademark of Dr. Ing. h.c. F. Porsche AG. "FSI" is a trademark of Audi AG. "Dynaudio" is a registered trademark of Continental Audio Electronic GmbH. "Bluetooth" is a registered trademark of Bluetooth SIG, Inc. "Bi-Xenon" is a trademark of Hella, Inc. U.S.A. Subscriptions to all SiriusXM services are sold separately after 3-month trial expires. **If you decide to continue your SiriusXM service at the end of your subscription, the plan you choose will automatically renew and bill at then-current rates until you call 1-866-635-2349 to cancel. See SiriusXM Customer Agreement for complete terms at www.siriusxm.com.** Sirius U.S. Satellite service available only to those at least 18 years of age in the 48 contiguous U.S.A., D.C. and P.R. (with coverage limitations). Sirius, XM and all related marks and logos are trademarks of SiriusXM Radio Inc. "iPod" is a registered trademark of Apple, Inc. All rights reserved. iPod is not included. Volkswagen DVD navigation depends on the signals from the worldwide Global Positioning Satellite network. The vehicle's electrical system, and existing wireless and satellite technologies, must be available and operating properly for the system to function. The system is designed to provide you with suggested routes to location addresses, destinations, and other points of interest. Changes in street names, construction zones, traffic flow, points of interest, and other road system changes are beyond the control of Volkswagen of America, Inc. Complete detailed mapping of lanes, roads, streets, toll roads, highways, etc., is not possible, therefore you may encounter discrepancies between the mapping and your actual location. Please rely on your individual judgment in determining whether or not to follow a suggested navigation route. Periodically, the mapping is updated and a new DVD will be required in order to maintain the latest navigation information available to us. These will be available for purchase from time to time at additional cost. High-performance tires are designed for optimum performance and handling in warm climates. They are not suitable for cold, snowy, or icy weather conditions. If you drive under those circumstances, you should equip your vehicle with all-season or winter tires, which offer better traction under those conditions. The recommended winter or all-season tire size specified for your car or its equivalent should be used. These high-performance tires also have a lower aspect ratio that aids performance and handling; however, in order to avoid tire, rim or vehicle damage, it is important that the inflation pressure is regularly checked and maintained at optimum levels. Please also remember in making your selection that, while these tires deliver responsive handling, they may ride less comfortably and make more noise than other choices. Finally, these tires may wear more quickly than other choices. For further information on all these topics, please consult the owner's manual, your local dealer or call 1-800-DRIVE-VW. For further information regarding any Volkswagen model, please call 1-800-DRIVE-VW, or just look us up at vw.com. VW12GTISBUS